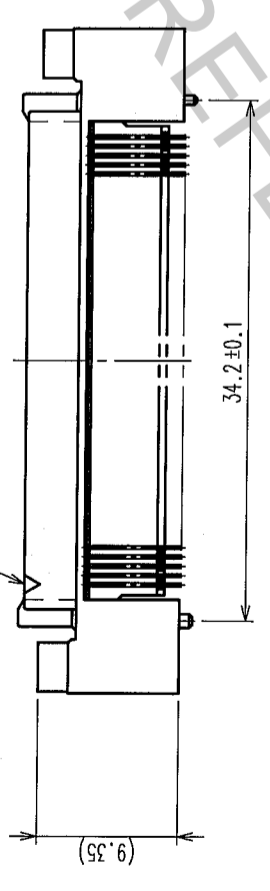
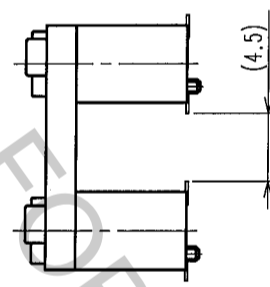
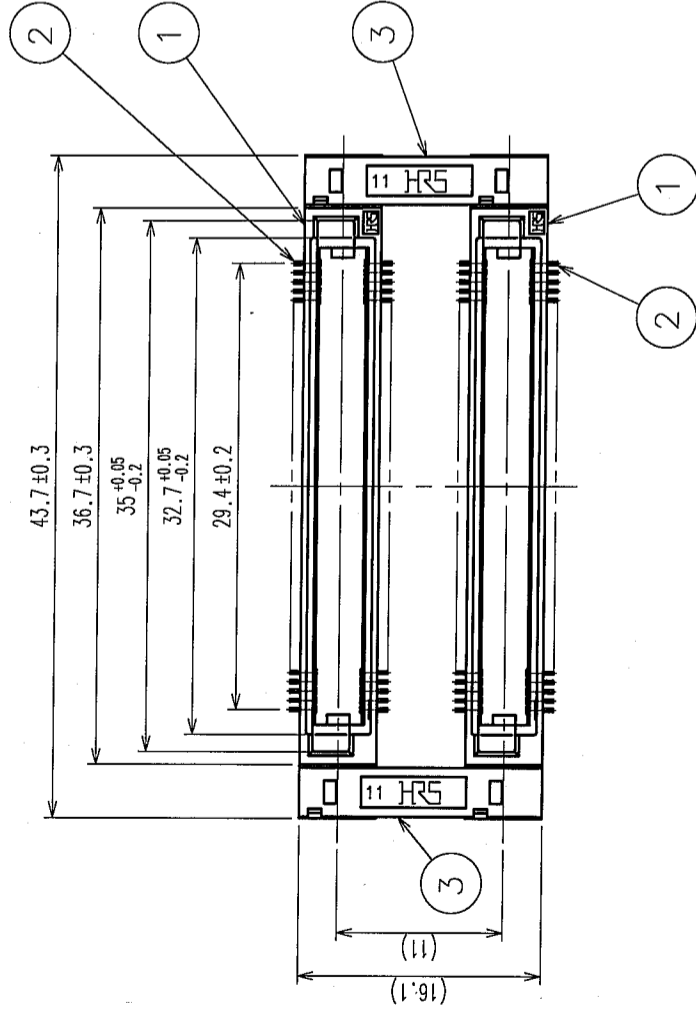
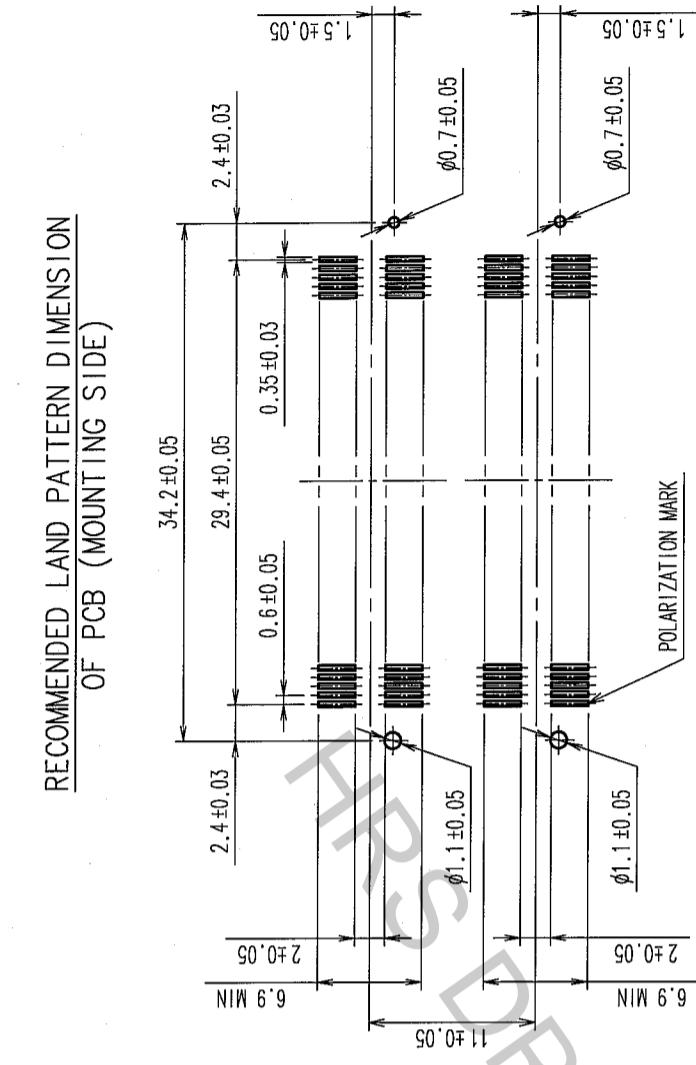
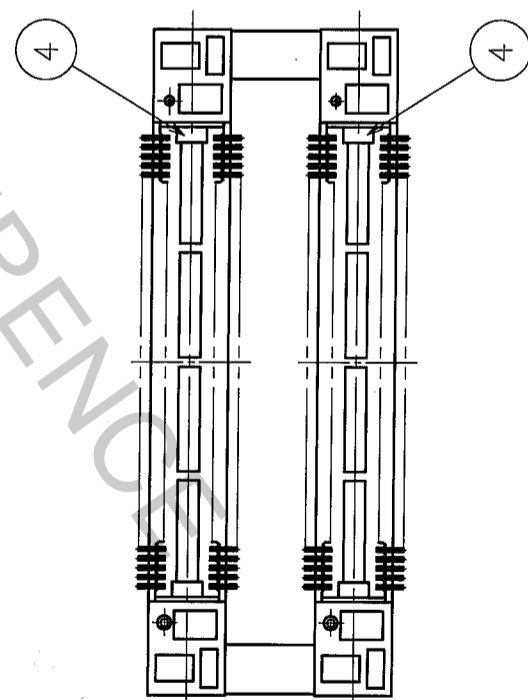


COUNT	DESCRIPTION OF REVISIONS	BY	CHKD	DATE	COUNT	DESCRIPTION OF REVISIONS	BY	CHKD	DATE
△					△				
△					△				
△					△				

RECOMMENDED LAND PATTERN DIMENSION
OF PCB (MOUNTING SIDE)



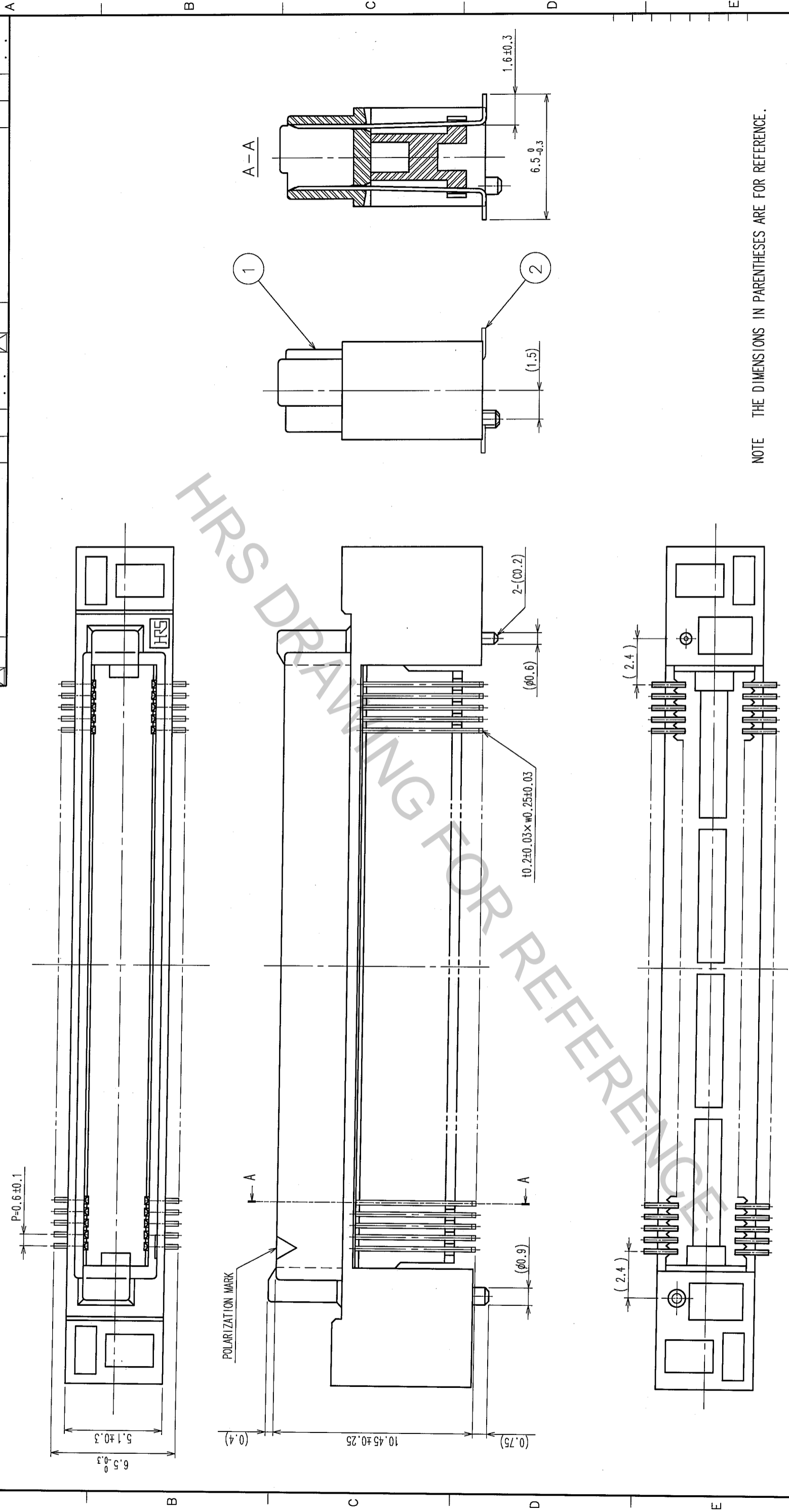
- NOTES
- 1 LEAD CO-PLANARITY SHALL BE 0.1mm MAX.
 - 2 AFTER MOUNTING BOARD, REF.NO.3 SHALL BE REMOVED.
 - 3 FOR MODIFICATION, ETC., PREVENTIVE HOLE FOR SINK MARK MAY BE ADDED DEPENDS ON CIRCUMSTANCES.
 - 4 THE DIMENSIONS IN PARENTHESES ARE FOR REFERENCE.



1,3,4	PPS	LIGHT BROWN (UL94V-0)	2	PHOSPHOR BRONZE	CONTACT AREA: GOLD 0.1μm min LEAD AREA: TIN-PLATING 1μm min UNDER PLATING: NICKEL 1μm min
NO.	MATERIAL	FINISH, REMARKS	NO.	MATERIAL	FINISH, REMARKS
CODE NO. (OLD) CL			DESIGNED S. KAMIGA 06.01.2016	06.01.23	06.01.23
			DRAWN S. KAMIGA 06.01.2016	06.01.23	06.01.23
			CHECKED X. Ogawa	06.01.23	06.01.23
			APPROVED H. Okawa	06.01.23	06.01.23
			RELEASED		
DRAWING NO. EDC3-150953-25		PART NO. FX8C-100/100P11-SV6J(71)			
SCALE 2 : 1		CODE NO. CL578-0755-7-71			
UNITS mm		HIROSE ELECTRIC CO., LTD			

TO	
PCK	

DETAIL AFTER REMOVING JOINT



NOTE THE DIMENSIONS IN PARENTHESES ARE FOR REFERENCE.

TO
PCK

COUNT	DESCRIPTION OF REVISIONS	BY	CHKD	DATE	COUNT	DESCRIPTION OF REVISIONS	BY	CHKD	DATE
△									
△									
△									

NO.		MATERIAL		FINISH, REMARKS		NO.		MATERIAL		FINISH, REMARKS	
CODE NO. (OLD)		CL		DRAWN		DESIGNED		CHECKED		APPROVED	
CL		S.KAMIGA		06.01.20		H. Nishimura		K. Ogawa		H. Okawa	
SCALE		5 : 1		DRAWING NO.		PART NO.		FINISH, REMARKS		RELEASED	
UNITS		mm		EDC3-150953-25		FX8C-100/100P11-SV6J(71)		06.01.23		06.01.23	
				HIROSE ELECTRIC CO., LTD		CODE NO.		CL578-0755-7-71		2	