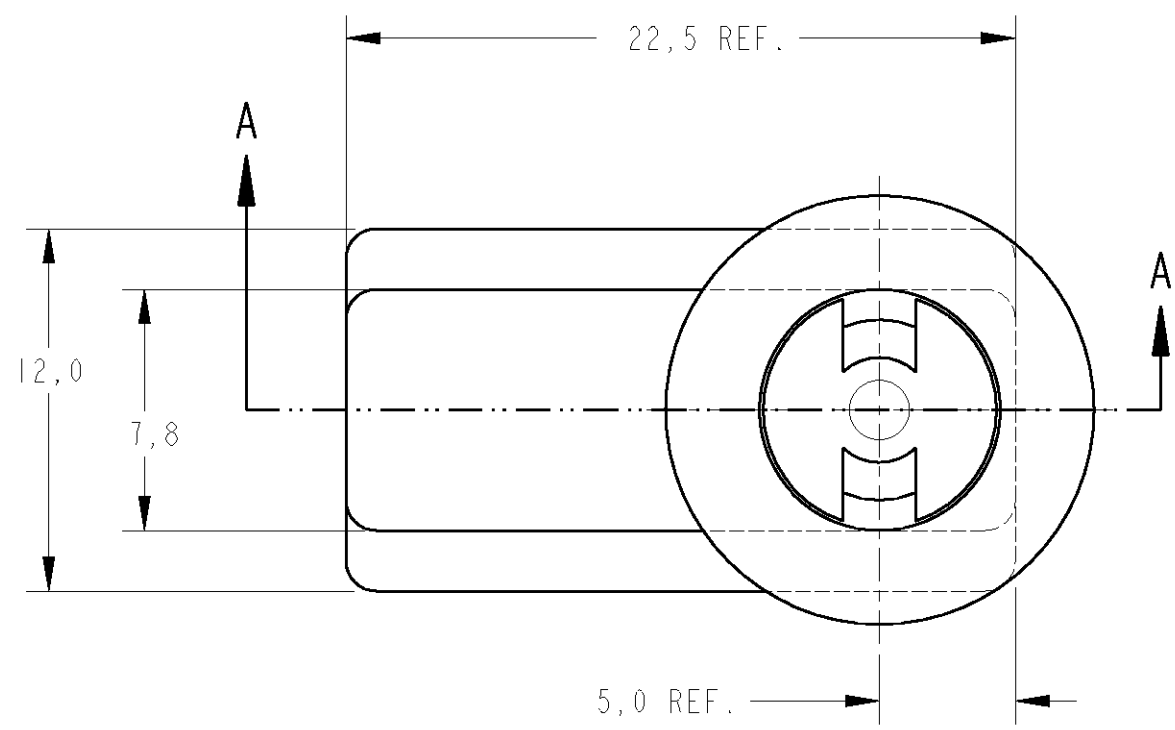


THIS DRAWING IS UNPUBLISHED. RELEASED FOR PUBLICATION .19 .
 © COPYRIGHT 19 BY AMP INCORPORATED. ALL RIGHTS RESERVED.

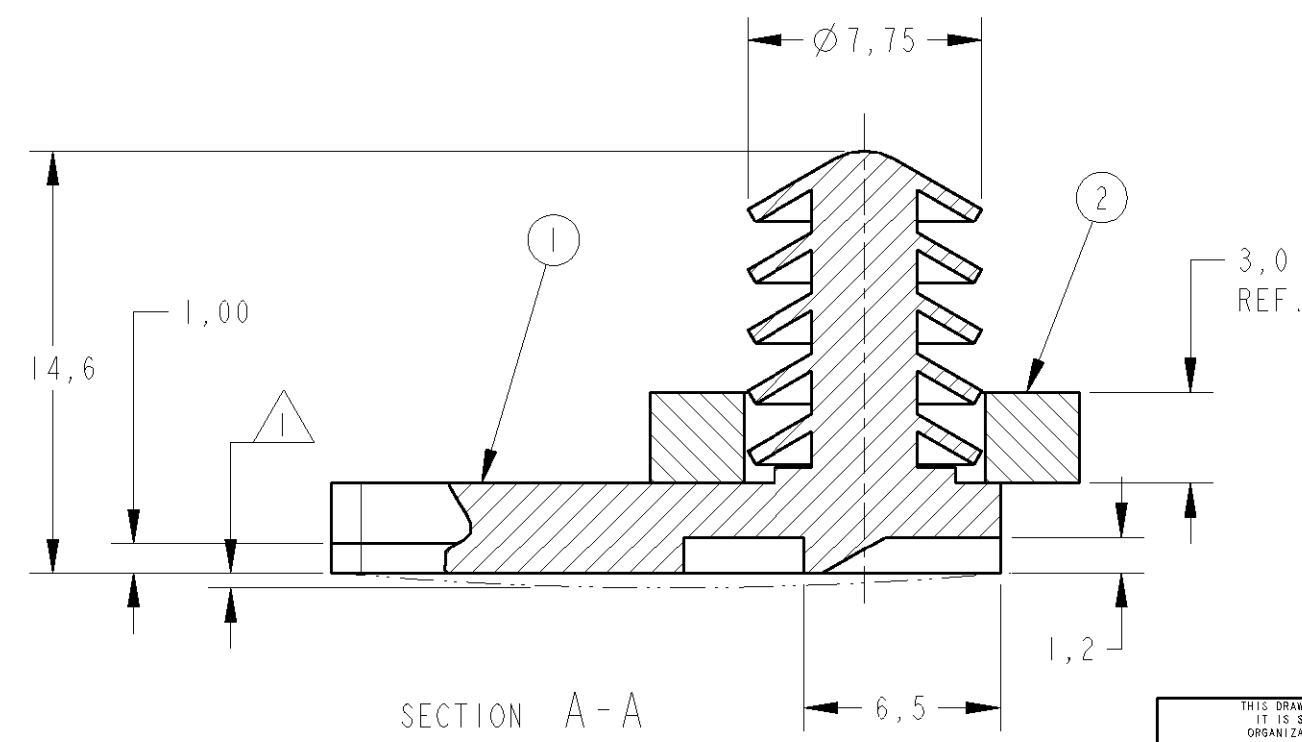
CAD Pro-E
 DO NOT REVISE EXCEPT BY CAD

LOC	DIST	REVISIONS			
P	LTR	DESCRIPTION	DATE	DWN	APVD
	C	REVISADO EC-301/00	02AUG00	NCL	PLF
	D	REVISED BY ECLB00428/00	11OCT00	AP	PLF



△ -0.4 MÁX. DEFORMAÇÃO PERMITIDA.
 -SIMILAR A PEÇA AUTOLATINA 547971904 C.
 -FURO PADRÃO DE MONTAGEM: Ø 6.5 ±0.2
 -ESPESSURA DE CHAPA: 0,56 A 5,10

△ -WARPAGE PERMITTED 0.4 MAX.
 -SIMILAR TO AUTOLATINA PART NUMBER 547971904 C.
 -ASSEMBLING STANDARD HOLE Ø 6.5 ±0.2
 -PLATE THICKNESS: 0,56 TO 5,10



REQ. PER ASSY	ITEM	DESCRIPTION	MATERIAL	FINISH
1	2	GASKET	EPDM	PRETO / BLACK
1	1	CRISTMAS TREE WITHOUT GASKET	PA 6.6	PRETO / BLACK
-	1	CRISTMAS TREE WITHOUT GASKET	PA 6.6	NATURAL

<small>THIS DRAWING IS A CONTROLLED DOCUMENT FOR AMP INCORPORATED. IT IS SUBJECT TO CHANGE AND THE CONTROLLING ENGINEERING ORGANIZATION SHOULD BE CONTACTED FOR THE LATEST REVISION.</small>		DWN F.S.MARTINS 15SEP98 CHK P.L.FARIA 21SEP98 APVD F.ALEXANDRONI 21SEP98	AMP AMP do BRASIL LTDA. São Paulo, Brasil
DIMENSIONS: mm	TOLERANCES UNLESS OTHERWISE SPECIFIED: 0 PLC ±- 1 PLC ±0.3 2 PLC ±- 3 PLC ±- 4 PLC ±- ANGLES ±-	PRODUCT SPEC - APPLICATION SPEC - WEIGHT -	NAME - CHRISTMAS TREE
MATERIAL SEE TABLE	FINISH SEE TABLE	SIZE A3 CAGE CODE 00779 DRAWING NO C-626897	RESTRICTED TO -
CUSTOMER DRAWING			SCALE 4:1 SHEET 1 OF 1 REV D