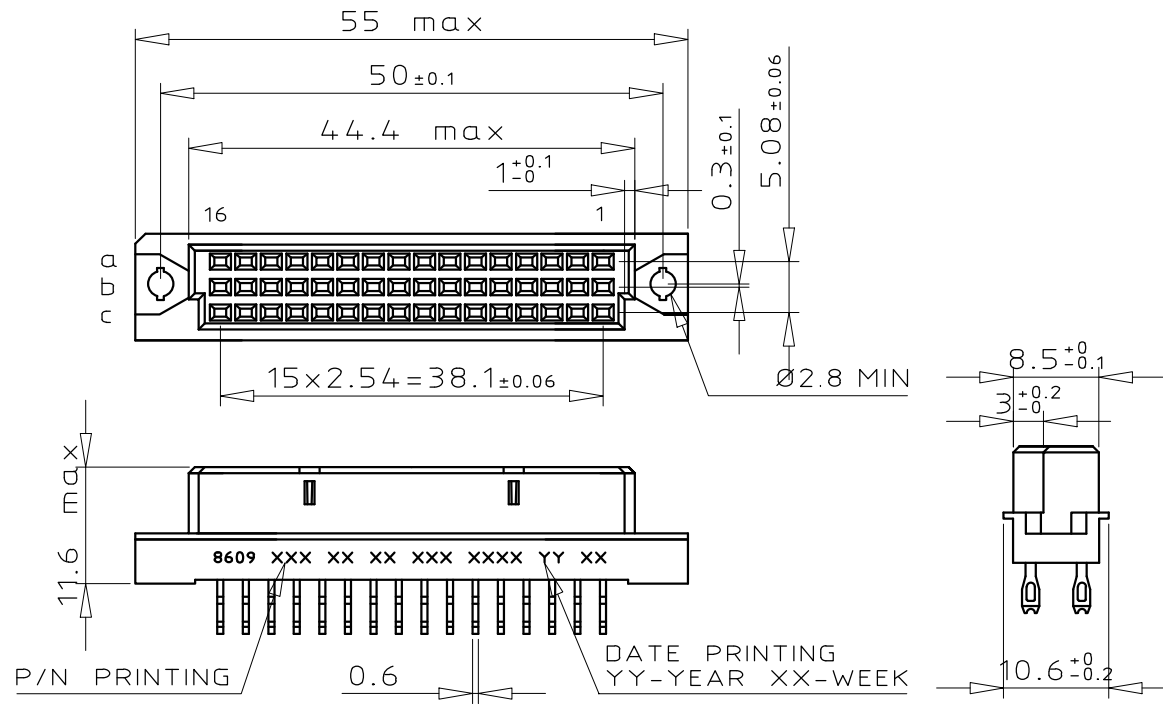
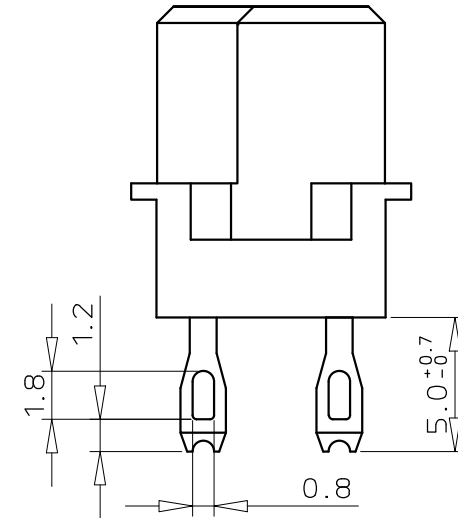


# DIMENSIONS



# TERMINATION



# TECHNICAL SPECIFICATION

HOUSING MATERIAL	THERMOPLASTIC POLYESTER UL-94-V0 GRAY
CONTACT MATERIAL	COPPER ALLOY
ACTIVE ZONE CONTACT FINISH	Au OVER Ni
TERMINATION ZONE CONTACT FINISH	Sn (PURE MATT) OVER Ni

# ELECTRICAL DATA

CURRENT RATING	1.5A AT 20°C
TEMPERATURE RANGE	-55°C TO +125°C
CONTACT RESISTANCE	≤20mΩ
INSULATION RESISTANCE	≥10MΩ
TEST VOLTAGE (RMS)	1000V

# MECHANICAL DATA

INSERTION FORCE PER CONTACT	≤0.94N
EXTRACTION FORCE PER CONTACT	≥0.15N
REFERENCE SPECIFICATION	DIN 41612 OR IEC 603-2

# RoHS INFORMATION

- LEAD FREE OR RoHS DIRECTIVE LABELING TO BE PROVIDED AS PER GS-14-920 FOR LEAD FREE VERSION.
- THE "LF" PRODUCTS MEET EUROPEAN UNION DIRECTIVES AND OTHER COUNTRY REGULATIONS AS DESCRIBED IN GS-22-008.

# ORDERING INFORMATION

SERIES	8609	4	32	8	3	09	7	5	5	E1LF
ROWS FITTED WITH CONTACTS										
ROW a - c			4	32						
ROW a b c			3	48						
NO. OF CONTACTS										
TYPE OF INSULATOR										
3 ROW FEMALE INSULATOR				8						
METHOD OF MOUNTING										
STANDARD MOUNTING - STYLE C/2				3						
TERMINATION										
SHORT SOLDER EYELET								09		
OPTIONS										
NO OPTION									7	
PERFORMANCE CLASS										
DIN 41612 CLASS 3									4	
DIN 41612 CLASS 2									5	
DIN 41612 CLASS 1									6	
AS PER MIL C 55302 / JSS 50808									8	
PITCH PER ROW										5
2.54 mm										
LEAD FREE VERSION										E1LF

mat'l. code	see tech spec	surface	tolerance	projection	product family
ISO 1302	ISO 406 ISO 1101	tolerances unless otherwise specified	mm	8609	
ltr	ecn no	dr	date	angles	linear
A	085-10-09	KR	2009-10-24	0.X	±0.1
B	110-0036	KR	2010-02-02	0.XX	±0.1
C	111-0043	MJA	2011-02-25	0.XXX	±0.1
dr	KESAVAN R	2009-10-24			
enr	KESAVAN R	2009-10-24			
chr	KESAVAN R	2010-02-02			
app	BIJU K PAUL	2010-02-02			
sheet index	revision sheet	C	1		

title	DIN STANDARD RECEPTACLE
	SOLDER EYELET DIN 41612 STYLE C/2
dwg no	sheet 1 of 1 size
	C-8609-2221 A3
type	Product Customer Drawing