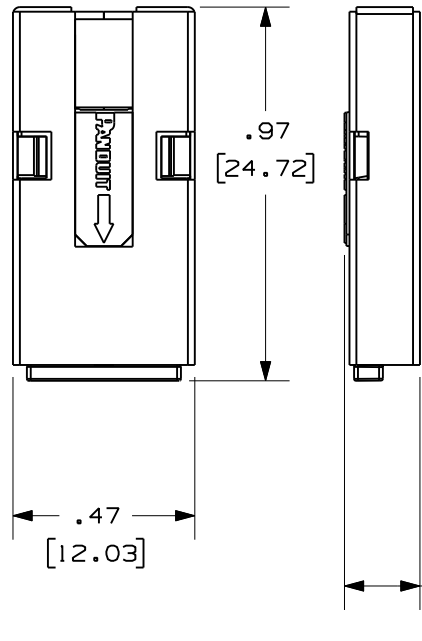
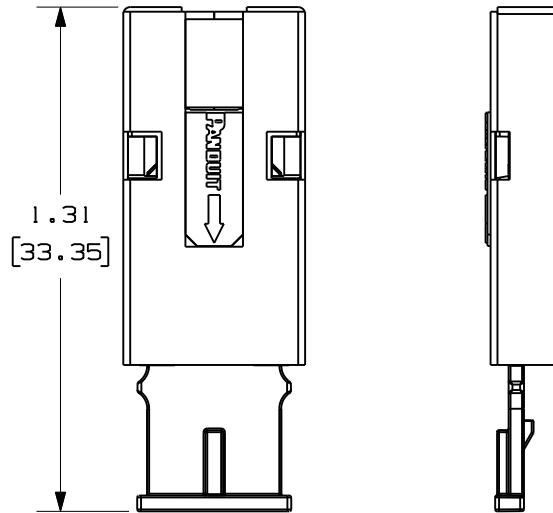


THIS COPY IS PROVIDED ON A RESTRICTED BASIS AND IS NOT TO BE USED IN ANY WAY DETRIMENTAL TO THE INTERESTS OF PANDUIT CORP.

INSTALLED CONFIGURATION

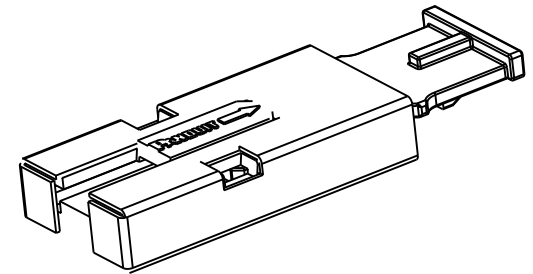


INSTALLATION CONFIGURATION



NOTES:

1. [ ] DENOTE MILLIMETERS
2. TEMPERATURE RANGE:  
-40°F (-40°C) TO 120°F (60°C)
3. RoHS COMPLIANT



CAD FILENAME/LAYERS		100923UT_DC_C10947/02A	
 CORP. TINLEY PARK, ILLINOIS			
PSL-USBA CUSTOMER DRAWING			
UNLESS OTHERWISE SPECIFIED, DIMENSIONAL TOLERANCES ARE:		UNLESS OTHERWISE SPECIFIED, ALL DIMENSIONS ARE GIVEN IN INCHES, THIRD ANGLE PROJECTION.	
(.X) ± .1	(.XXX) ± .015		
(.XX) ± .03	ANGLES ± 5°		
DRAWN BY JHAC	MAT'L: RED POLYCARBONATE AND STAINLESS STEEL	SCALE 2:1	
DATE 10/06/11		DRAWING NO. 10947	DWG A SIZE
CHK'D			

0	10/6/11	JHAC		DRAWING RELEASE	6533				
REV	DATE	BY	CHK	DESCRIPTION	ECN	R	CUST	SUP	