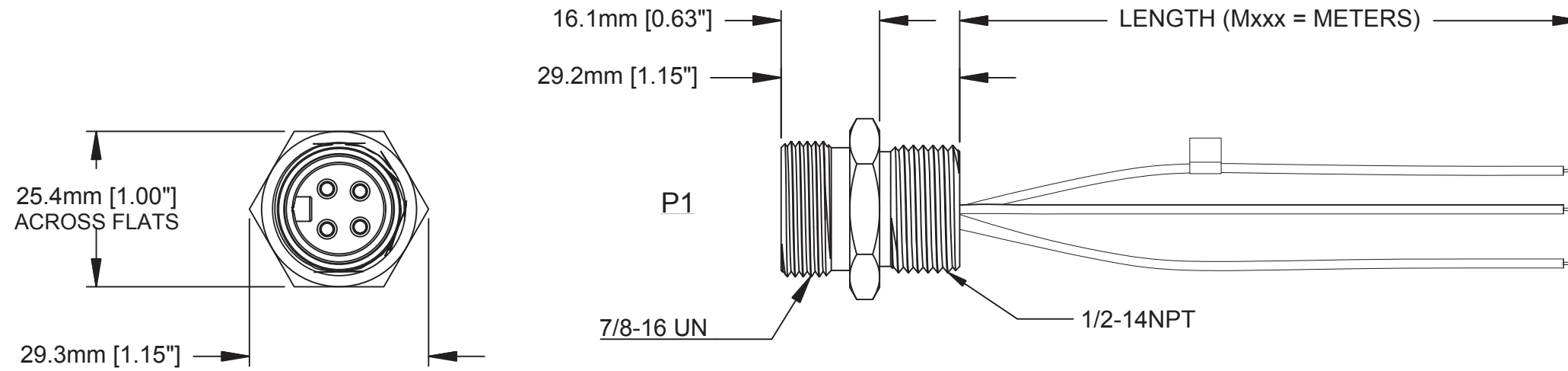
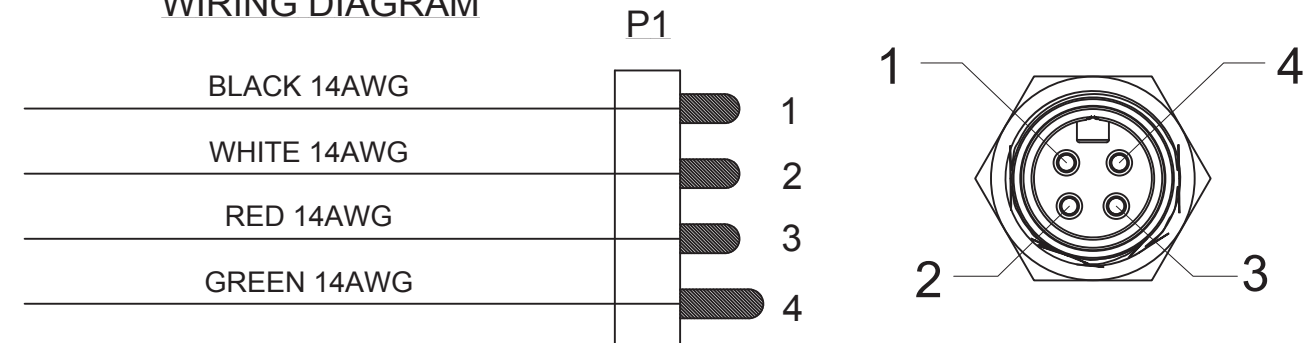


| REVISIONS |     |                              |           |     |      |
|-----------|-----|------------------------------|-----------|-----|------|
| REV       | ECO | DESCRIPTION                  | DATE      | BY  | APPR |
| A1        | -   | TECHNICAL DATA SHEET RELEASE | 12-MAY-14 | KMM | RFC  |



**WIRING DIAGRAM**



**TECHNICAL DATA:**

1) MATERIALS:  
 HOUSING: MACHINED ALUMINUM, ANODIZED  
 INSULATION INSERT: THERMOPLASTIC, UL 94/V-0  
 CONTACT: GOLD FLASH PLATING OVER COPPER ALLOY  
 CONDUCTOR INSULATION: PVC  
 NUMBER OF CONDUCTORS: (4) 14AWG

2) ELECTRICAL DATA:  
 CURRENT (MAX): 15A  
 VOLTAGE (MAX): 600V AC/DC  
 INSULATION RESISTANCE (MIN): 5000M OHMS  
 DIELECTRIC TEST VOLTAGE: 2200V

3) MECHANICAL DATA:  
 KNOCKOUT HOLE SIZE FOR PANEL MOUNT: 22.2mm [.88\"]  
 TEMPERATURE RANGE: -40°C TO 90°C  
 PROTECTION: IP67 (MATED CONDITION)  
 MATING CYCLES: >500  
 VIBRATION RESISTANCE PER MIL-STD-202 METHOD 204  
 THERMAL SHOCK PER MIL-STD-202 METHOD 207  
 48 HOUR SALT SPRAY PER MIL-STD-202 METHOD 101

4) RoHS COMPLIANT  
 5) UL 2237 LISTED ASSEMBLY  
 UL FILE NUMBERS: E339703

Risk of Electrical Shock  
 Do Not Disconnect Under Load.  
 Risque de chocs électriques  
 Ne pas debrancher sous tension.

**WARNING**

| TOLERANCE                  |                               |
|----------------------------|-------------------------------|
| 0-2.99 M = +100.0/-25.0mm  | 0-9.99 FT = +4\" / -1\"       |
| 3-8.99 M = +150.0/-25.0mm  | 10.00-29.99 FT = +6\" / -1\"  |
| 9-14.99 M = +300.0/-25.0mm | 30.00-49.99 FT = +12\" / -1\" |
| 15-OVER M = +450.0/-25.0mm | 50 FT-OVER = +18\" / -1\"     |

| QUANTITY                             | PART NUMBER | DESCRIPTION                                                                                                                                                                                                                                                          | ITEM                  |      |         |          |  |           |                    |           |  |
|--------------------------------------|-------------|----------------------------------------------------------------------------------------------------------------------------------------------------------------------------------------------------------------------------------------------------------------------|-----------------------|------|---------|----------|--|-----------|--------------------|-----------|--|
| <b>MATERIALS LIST</b>                |             |                                                                                                                                                                                                                                                                      |                       |      |         |          |  |           |                    |           |  |
| UNLESS OTHERWISE SPECIFIED           |             | SIGNATURES                                                                                                                                                                                                                                                           |                       |      |         |          |  |           |                    |           |  |
| 1) All dimensions are in metric(mm). |             | DRAWN: KMM                                                                                                                                                                                                                                                           | DATE: 12-MAY-14       |      |         |          |  |           |                    |           |  |
| 2) Tolerances are as follows:        |             | CHECKED: MRF                                                                                                                                                                                                                                                         | DATE: 12-MAY-14       |      |         |          |  |           |                    |           |  |
| 1 PL DEC ±0.30                       |             | ENGINEER: KMM                                                                                                                                                                                                                                                        |                       |      |         |          |  |           |                    |           |  |
| 2 PL DEC ±0.15                       |             | APPROVAL: RFC                                                                                                                                                                                                                                                        | DATE: 12-MAY-14       |      |         |          |  |           |                    |           |  |
| 3 PL DEC ±0.08                       |             | CUSTOMER:                                                                                                                                                                                                                                                            |                       |      |         |          |  |           |                    |           |  |
| 3) Note reference =                  |             | THIS DRAWING IS SUPPLIED FOR INFORMATION ONLY. DESIGN FEATURES, SPECIFICATIONS AND PERFORMANCE DATA SHOWN HEREON ARE THE PROPERTY OF THE AMPHENOL CORPORATION. NO RIGHTS OF REPRODUCTION ARE IMPLIED. ALL DIMENSIONS ARE SUBJECT TO NORMAL MANUFACTURING VARIATIONS. |                       |      |         |          |  |           |                    |           |  |
| MATERIAL SPECIFICATIONS:             |             | <p style="text-align: center;"><b>Amphenol</b></p> <p style="text-align: center;">Sine Systems - www.amphenol-sine.com<br/>         44724 Morley Drive<br/>         Clinton Township, MI 48036</p>                                                                   |                       |      |         |          |  |           |                    |           |  |
| PROCESS SPECIFICATIONS:              |             | <b>M22 PB LITE, 4 PIN, MALE RECEPTACLE DROP, 14 AWG, 1/2 - 14NPT</b>                                                                                                                                                                                                 |                       |      |         |          |  |           |                    |           |  |
| NEXT ASSY:                           |             | <table border="1"> <tr> <td>SIZE</td> <td>TYPE</td> <td>DWG NO:</td> <td>REVISION</td> </tr> <tr> <td></td> <td><b>C-</b></td> <td><b>P29036-Mxxx</b></td> <td><b>A1</b></td> </tr> </table>                                                                         | SIZE                  | TYPE | DWG NO: | REVISION |  | <b>C-</b> | <b>P29036-Mxxx</b> | <b>A1</b> |  |
| SIZE                                 | TYPE        | DWG NO:                                                                                                                                                                                                                                                              | REVISION              |      |         |          |  |           |                    |           |  |
|                                      | <b>C-</b>   | <b>P29036-Mxxx</b>                                                                                                                                                                                                                                                   | <b>A1</b>             |      |         |          |  |           |                    |           |  |
|                                      |             | SCALE: FULL                                                                                                                                                                                                                                                          | C-P29036 SHEET 1 OF 1 |      |         |          |  |           |                    |           |  |

TITLE: M22 PB LITE, 4 PIN, MALE REC., 14AWG, 1/2-14NPT

DWG NO:

C-P29036-Mxxx

REV: A1

SH: 1

OF: 1