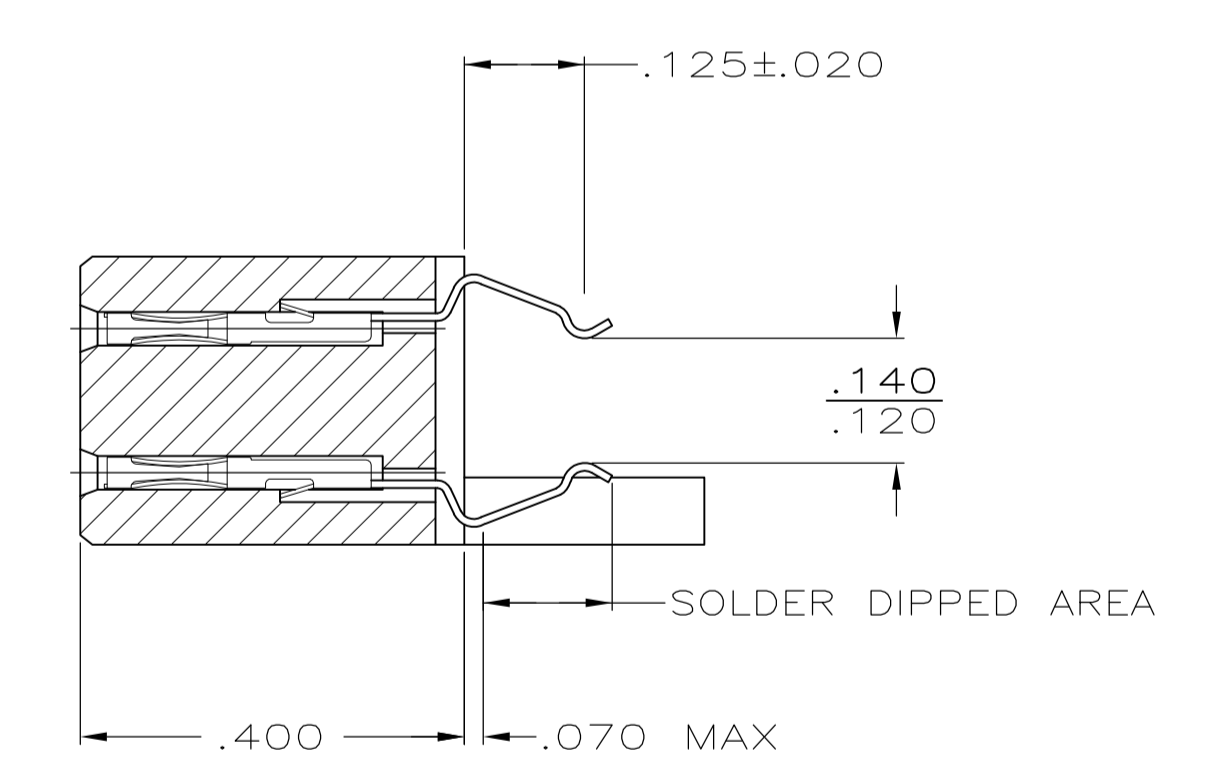
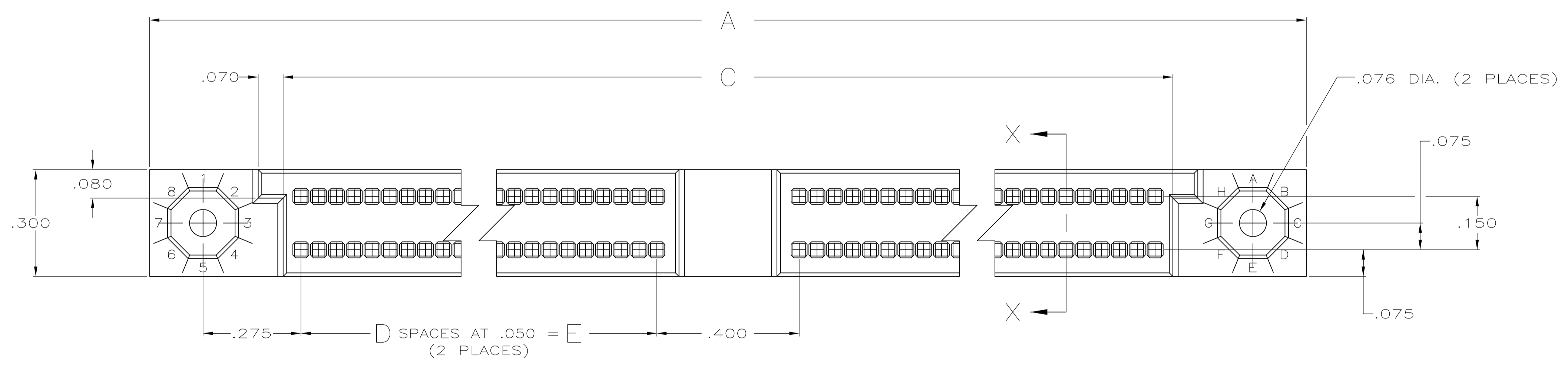
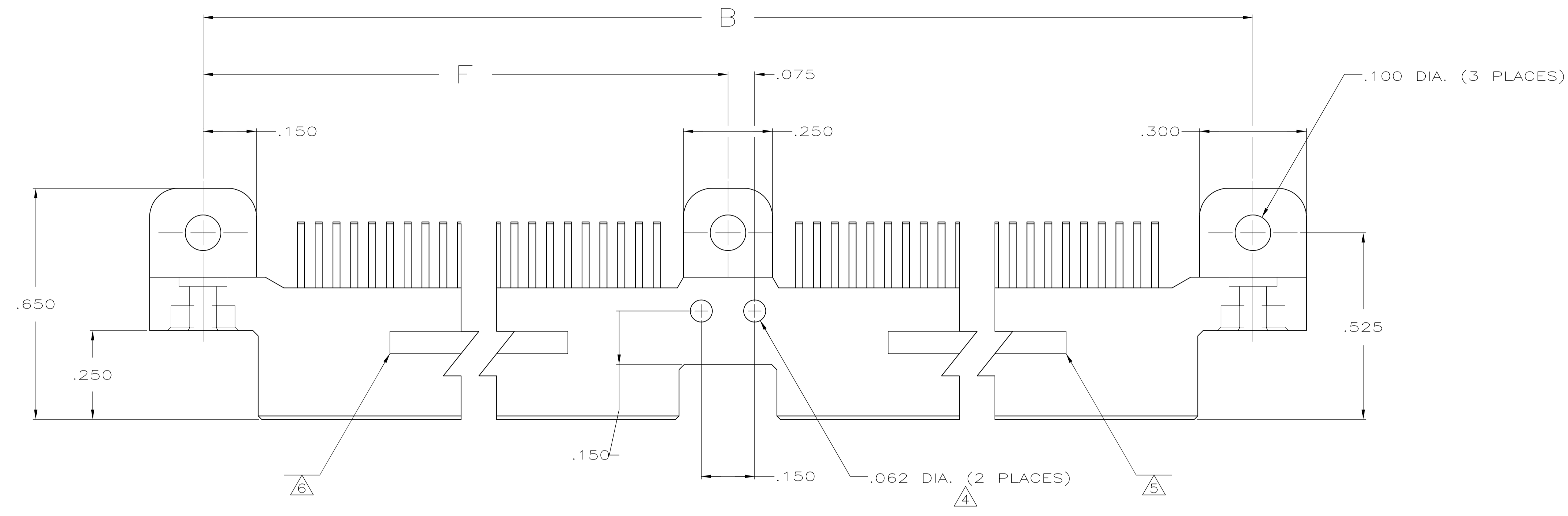


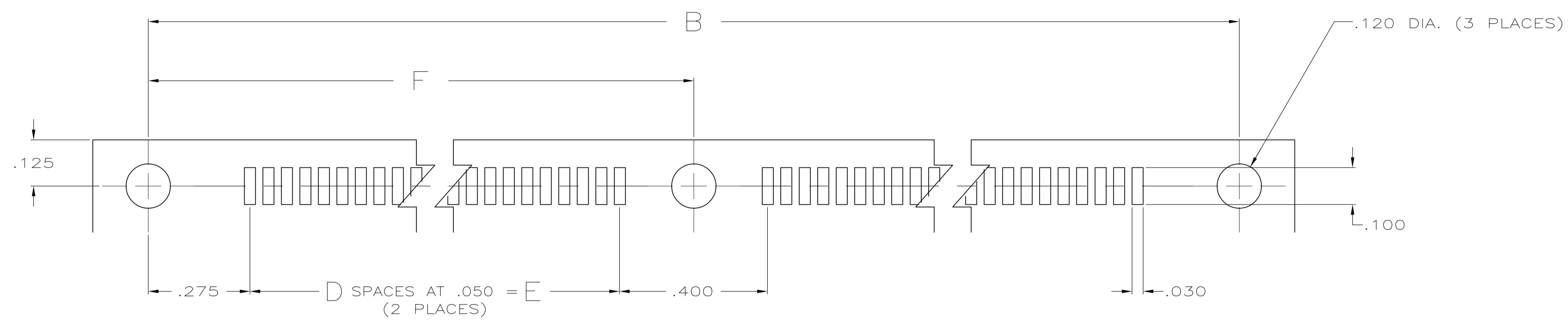
LOC		DIST		REVISIONS			
DF	TO	REV	DESCRIPTION	DATE	BY	APVD	
J		REV PER ECO	12-008520	17MAY12	PY	DM	

10-6-05



SECTION X-X

THIS DRAWING IS A CONTROLLED DOCUMENT.		DIN R SEIFRIED 10/17/86 CHK R SEIFRIED 10/17/86 APVD -	TE Connectivity
DIMENSIONS: INCHES 	TOLERANCES UNLESS OTHERWISE SPECIFIED: 0 PLC ± - 1 PLC ± - 2 PLC ± - 3 PLC ± .005 4 PLC ± - ANGLES ± -	NAME PRODUCT SPEC APPLICATION SPEC WEIGHT	
MATERIAL FINISH		WEIGHT CUSTOMER DRAWING	RESTRICTED TO SCALE 5:1 SHEET 1 OF 2 REV J



RECOMMENDED P.C. BOARD LAYOUT

- ① HOUSING MATERIAL: PLOYPHENYLENE SULFIDE, COLOR-NATURAL(BROWN).
- ② CONTACT MATERIAL: BERYLLIUM COPPER.
- ③ CONTACT FINISH: .000050 GOLD IN CONTACT AREA, OVER .000050-.000100 NICKEL UNDERPLATE. TIN-LEAD PLATED TAILS.
- ④ TOOL HOLE FOR SUB-ASSEMBLY ALIGNMENT FIXTURE OR 1/16 ROLL PIN.
- ⑤ MARK AMP, PART NUMBER, AND DATE CODE IN APPROXIMATE AREA SHOWN, PER AMP SPEC 115-9009.
- ⑥ MARK 5188914-001 IN APPROXIMATE AREA SHOWN PER AMP SPEC 115-9009.

2.025	1.550	31	3.600	4.050	4.350	128	⑥ 534466-1
F	E	D	C	B	A	POS	PART NUMBER

THIS DRAWING IS A CONTROLLED DOCUMENT.		DIN R SEIFRIED 10/17/86	 TE Connectivity
DIMENSIONS: INCHES		CHK R SEIFRIED 10/17/86	
TOLERANCES UNLESS OTHERWISE SPECIFIED:		APVD -	NAME
0 PLC ± -	1 PLC ± -	2 PLC ± -	PRODUCT SPEC
3 PLC ± .005	4 PLC ± -	ANGLES ± -	APPLICATION SPEC
MATERIAL	FINISH	WEIGHT	SIZE CAGE CODE DRAWING NO
①	②	③	A1 00779 C=534466
CUSTOMER DRAWING		SCALE 5:1	SHEET 2 OF 2 REV J