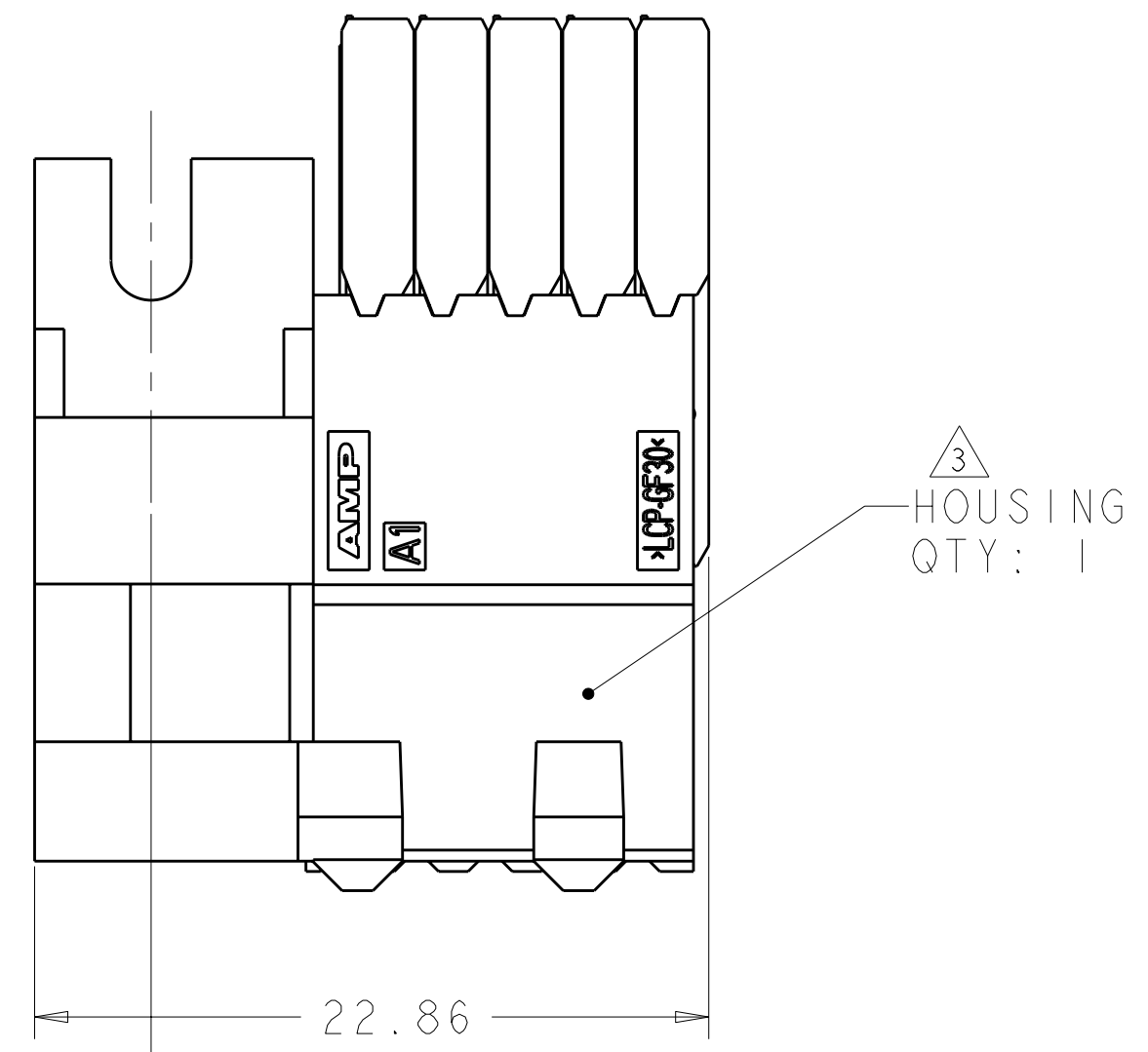
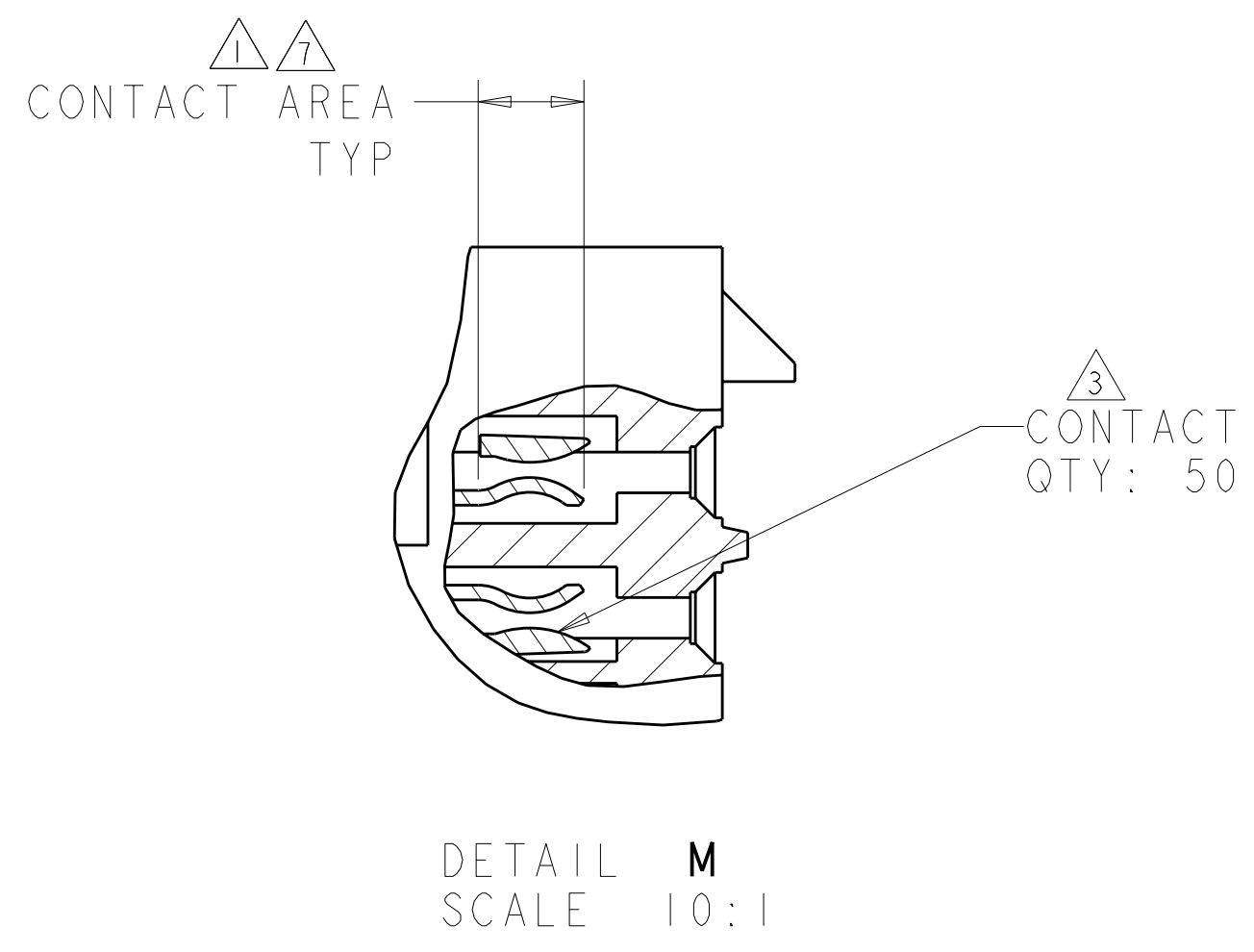
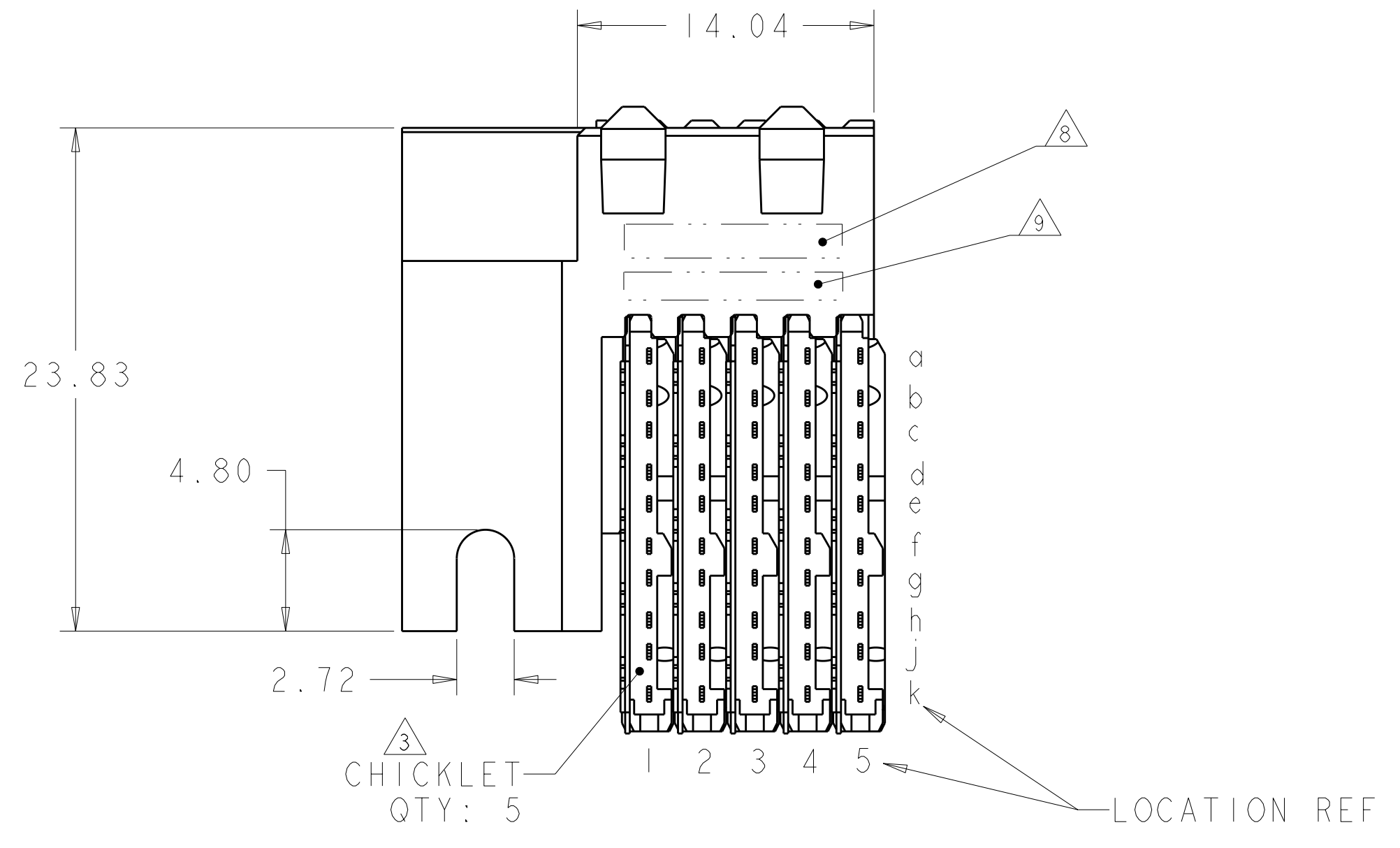
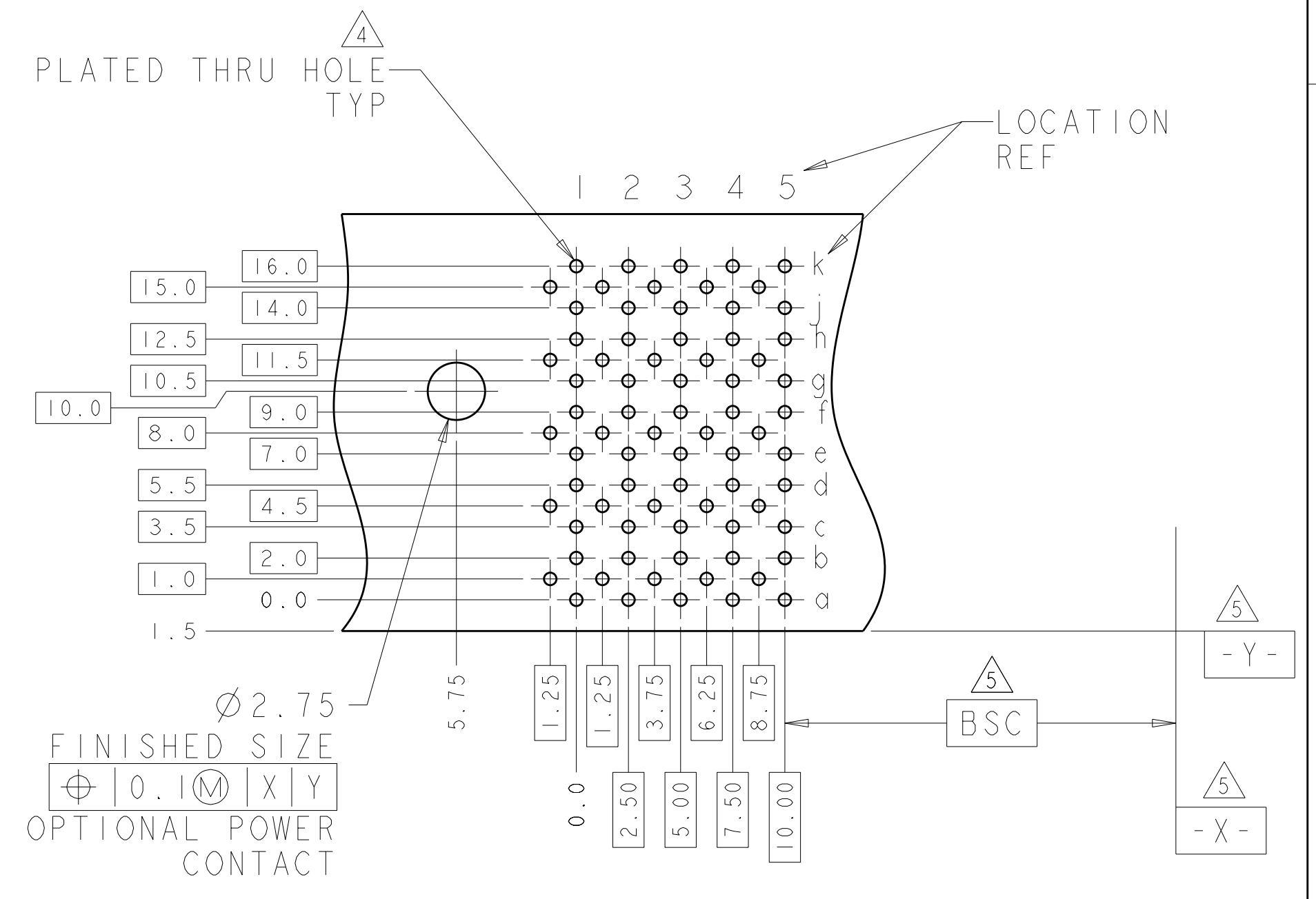
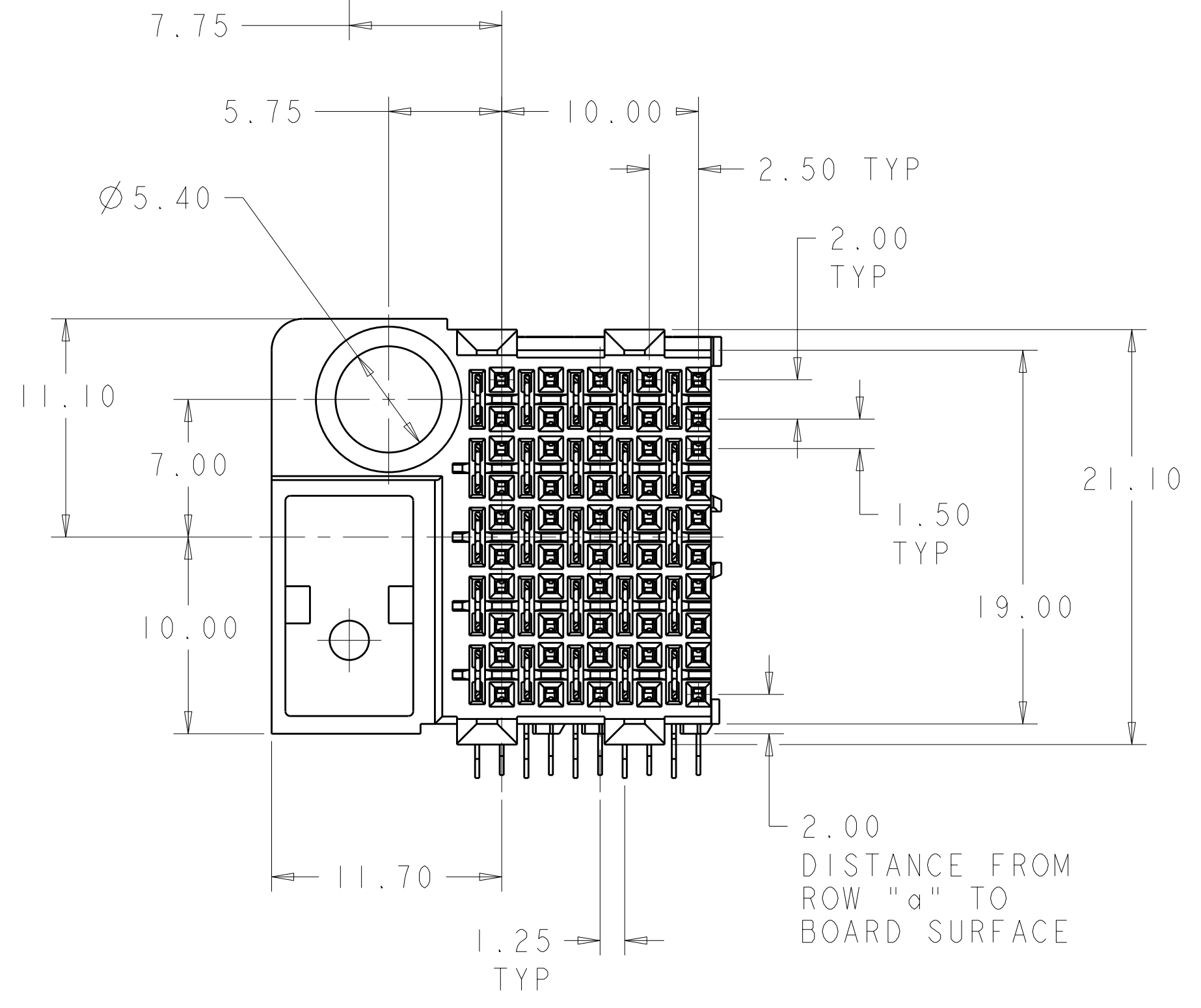
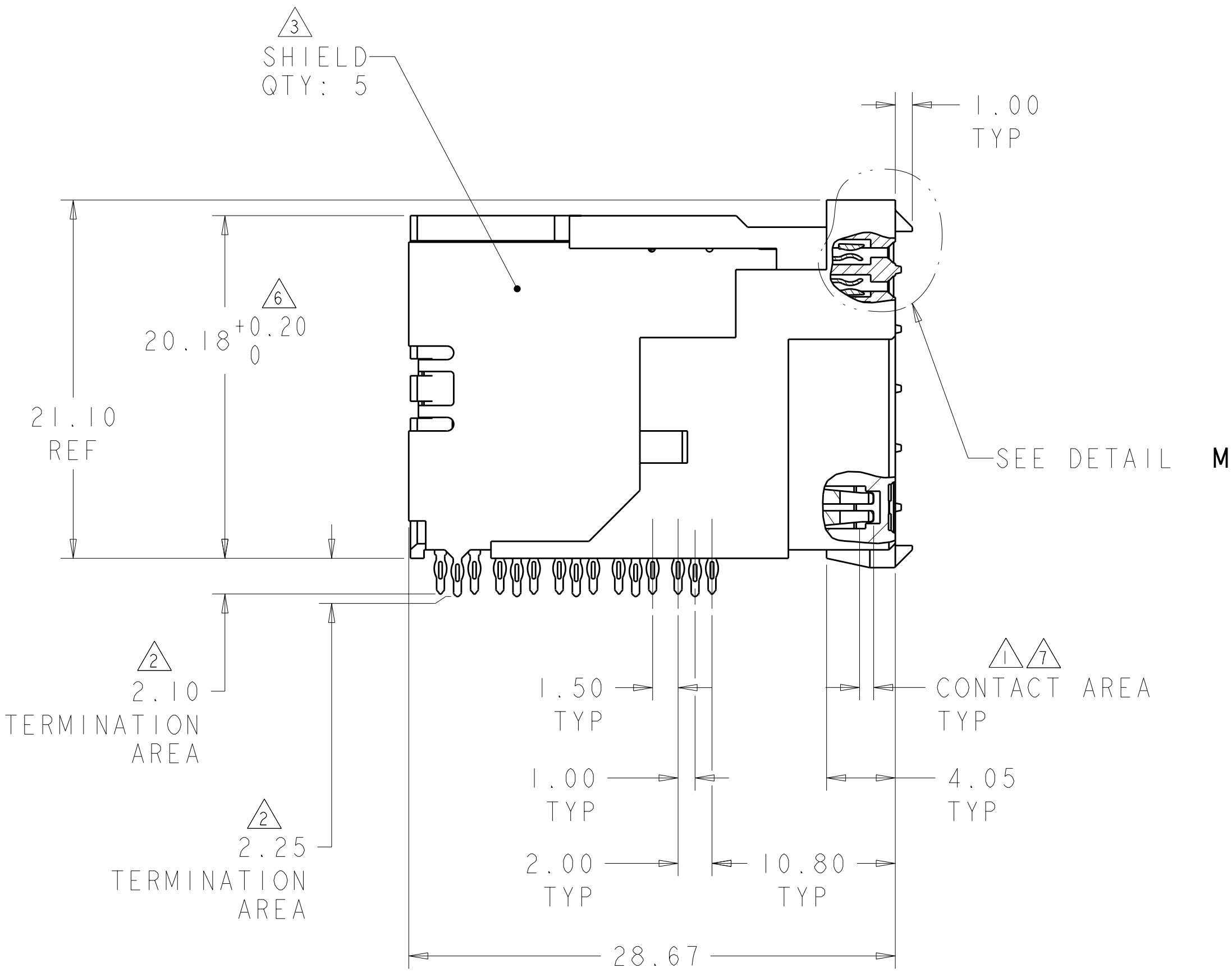


LOC	DIST	REV	DESCRIPTION	DATE	DWN	APVD
AD	00	A	REVISED PER ECO-11-013132	13JUL2011	HMR	MH



- 1 CONTACT MATING AREA MEETS THE PERFORMANCE REQUIREMENTS OF TE CONNECTIVITY PRODUCT SPECIFICATION 108-1957; BASED ON TELCORDIA GR-1217-CORE, APPLICATIONS IN UNCONTROLLED ENVIRONMENTS.
- 2 0.76µm MIN TIN OVER 1.27µm MIN NICKEL
- 3 MATERIAL: CONTACT - COPPER ALLOY  
 SHIELD - PHOSPHOR BRONZE  
 HOUSING - LCP, UL94V-0  
 CHICKLET - GLASS FILLED POLYESTER
- 4 REFERENCE APPLICATION SPEC 114-13020 FOR RECOMMENDED PLATED THRU HOLE DIAMETER AND PLATING THICKNESS.
- 5 DATUM AND BASIC DIMENSION ESTABLISHED BY CUSTOMER.
- 6 SEATING HEIGHT TO BOARD SURFACE.
- 7 CONTACT AREA LUBRICATED WITH BELLCORE APPROVED LUBRICANT. TECHNICAL REFERENCE: GR-1217-CORE, ISSUE 1, NOVEMBER 1995.
- 8 DATE CODE
- 9 PART NUMBER



RECOMMENDED PRINTED CIRCUIT BOARD LAYOUT  
 COMPONENT SIDE OF PRINTED CIRCUIT BOARD

5120875-1  
 PART NUMBER

THIS DRAWING IS A CONTROLLED DOCUMENT.		DWN: B. CARBO	09DEC04	TE Connectivity
DIMENSIONS: mm		CHK: R. PATTERSON	09DEC04	
TOLERANCES UNLESS OTHERWISE SPECIFIED:		APVD: R. PATTERSON	09DEC04	NAME: RECEPTACLE ASSEMBLY, 50 POSITION, UNIVERSAL GUIDE PIN, LEFT HAND, 10 ROW, DUAL BEAM, Z-PACK HS3 SIZE: CAGE CODE DRAWING NO: A100779C=5120875 RESTRICTED TO:
9 PLC ±		PRODUCT SPEC	108-1957	
1 PLC ±0.2		APPLICATION SPEC	114-13020	
5 PLC ±0.13		WEIGHT		
4 PLC ±0.05		FINISH		SCALE: 4:1
ANGLES ±		SOLDER TAIL: 2		SHEET 1 OF 1
MATERIAL: 3		CONTACT: 3	CUSTOMER DRAWING	REV A