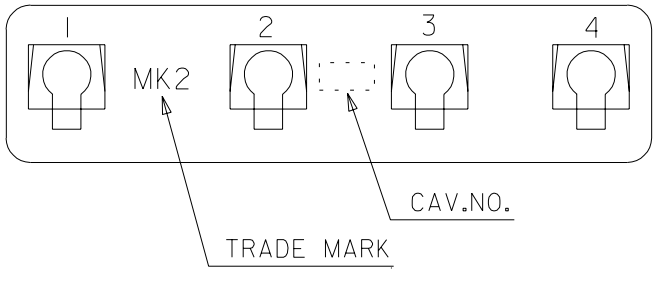
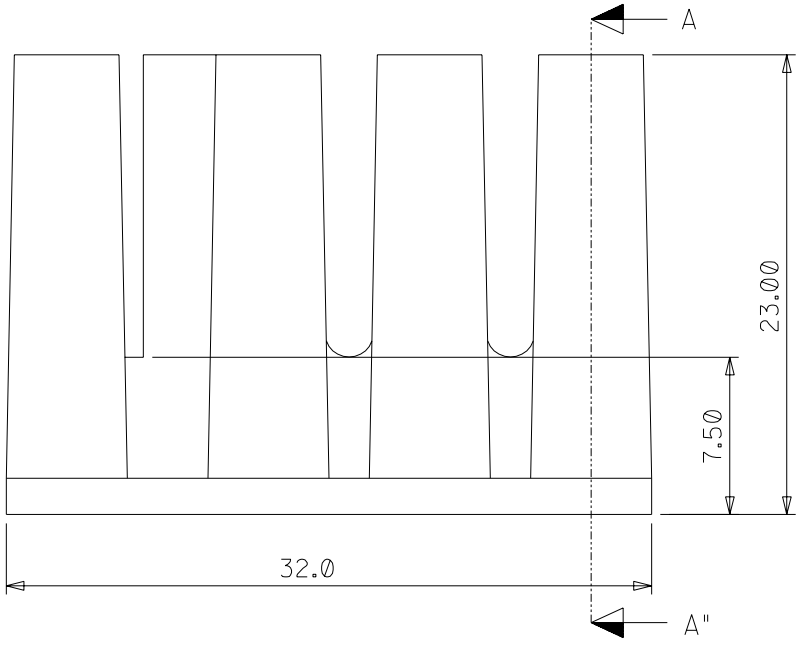
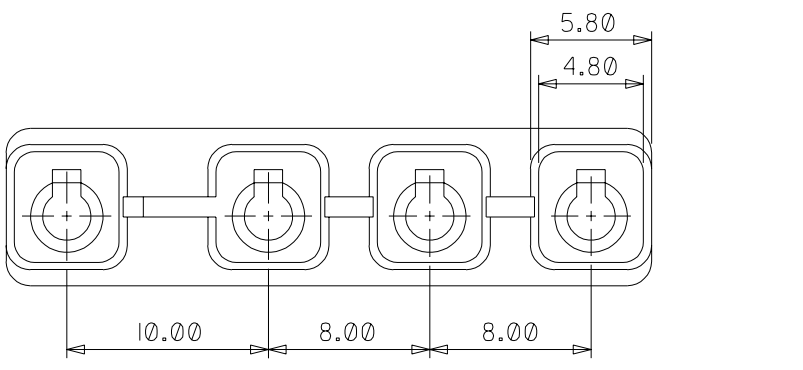


DO NOT SCALE DRAWING DIMENSION IN METRIC

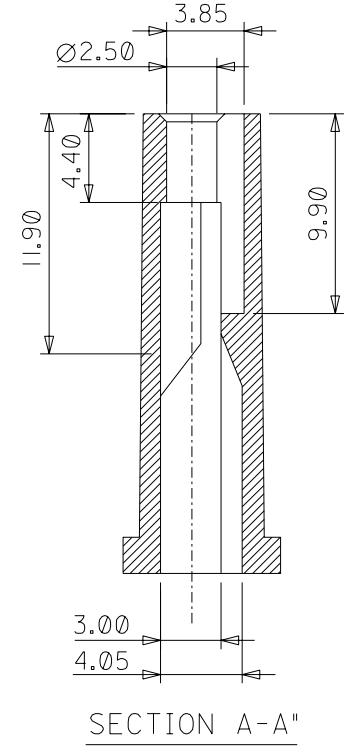
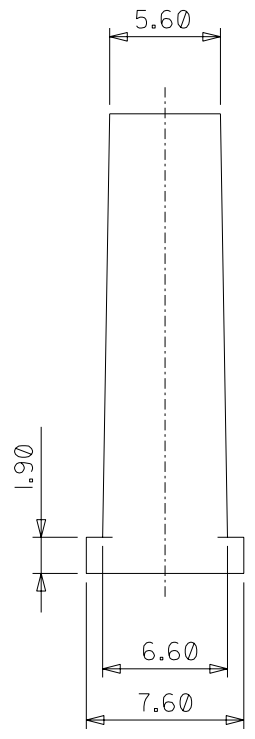
PROJECT NO. SIMILAR ITEM DWG. NO. SD-35183-041



MATERIAL NO.	ENG NO.	MATERIAL	COLOR
351830411	35183-0411	NORYL,UL94V-0	BLACK
351830417	35183-0417	NORYL,UL94V-I	GRAY

NOTES

- APPLICABLE TERMINALS: 35716-0110, 35716-0310, 35716-0190, 35716-0193
- MATED WAFER ASSEMBLY: 35309-0410



REVISED	EC NO. KOR2002-0151	QUALITY SYMBOLS	MAJOR	GENERAL TOLERANCES: (UNLESS SPECIFIED)	SCALE	DESIGN UNITS	THIRD ANGLE PROJECTION	DIMENSIONS: <input type="checkbox"/> mm <input type="checkbox"/> INCH <input checked="" type="checkbox"/> mm ONLY	SHT	REV					
	DRWN: C.B.CHIN 02/06/07		MINOR	mm	INCH	4:1					<input checked="" type="checkbox"/> mm <input type="checkbox"/> INCH				
C2	CHK: W.Y.YNAG	DESCRIPTION	CRITICAL	4 PLACES	DRAWN BY & DATE	W.Y.YANG 95/01/17	TITLE:	2.36 HOUSING-4P	MATERIAL NO.	DRAWING NO.					
	APPR: C.W.LEE		3 PLACES	2 PLACES							3 PLACES	1 PLACE	SEE CHART	SD-35183-041	
REV											APPROVED BY & DATE	C.W.LEE 95/01/17			SHEET NO.
											CAD FILENAME	S1830417.DGN			10F1

MAJOR = 0
 CRITICAL = 0

ANGULAR: ± °

DRAFT WHERE APPLICABLE MUST REMAIN WITHIN DIMENSIONS

THIS DRAWING CONTAINS INFORMATION THAT IS PROPRIETARY TO MOLEX INCORPORATED AND SHOULD NOT BE USED WITHOUT WRITTEN PERMISSION.

MOLEX INCORPORATED

THIS DRAWING CONTAINS INFORMATION THAT IS PROPRIETARY TO MOLEX INCORPORATED AND SHOULD NOT BE USED WITHOUT WRITTEN PERMISSION.

SIZE B