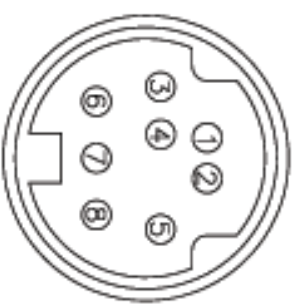
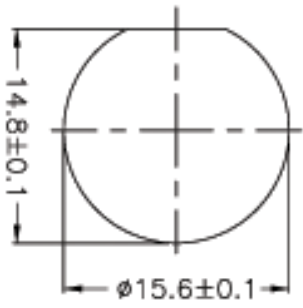


REV.	ISSUE NO.	DATE	BY	DESCRIPTION

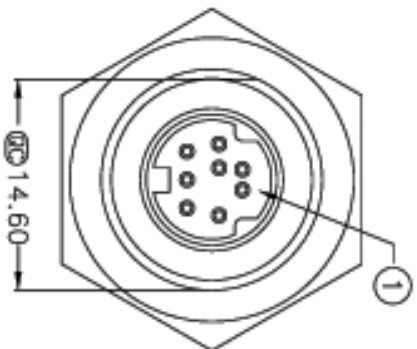
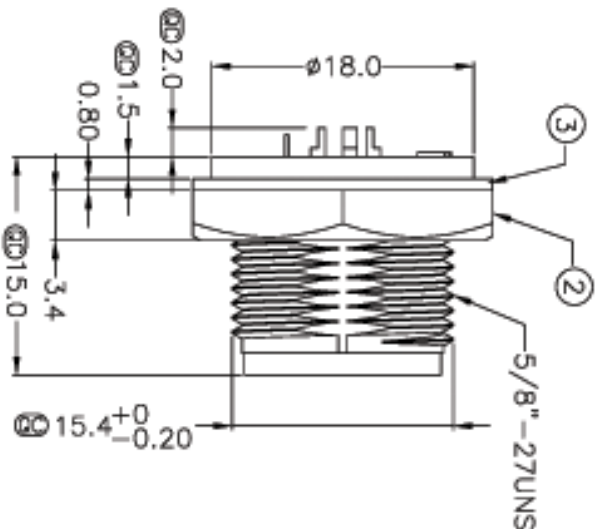
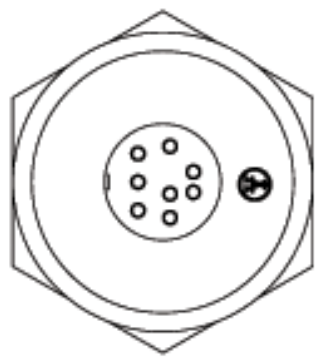
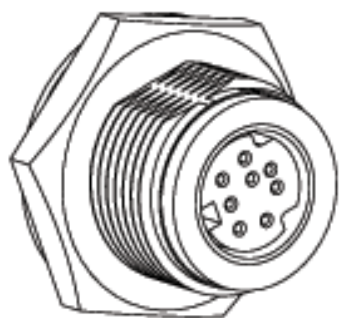


Pin Assignments  
Front View 前视图



Recommended Panel Cut-Out

<b>APPROVED</b>	
SIGNATURE	
DATE	



Note:  
 \*  $\phi$  Important Dimension.  
 \* (⊙為重點尺寸)  
 \* Connector: Mini Din Jack  
 \* Gasket: Black, EPDM  
 \* Nut: Black, Nylon+GF

UNIT:mm

TOLERANCE	$\pm 0.25$
.X	$\pm 0.1$
.XX	$\pm 0.05$
.XXX	$\pm 0.05$
ANGLES	$\pm 1^\circ$

Mini Din Male Connector  
 Female Pin Panel Mount

SCALE	Free	SIZE	A4	SHEET	1	OF	1
REV.	01	INSPECTION ITEM					

**ASSMANN**  
 Electronic Components

ITEM NO  
 A-MD-08PMS-WP-R

DRAWN BY  
 Lin Li Qing

DATE  
 2006/05/08

DWG NO  
 A-MD-08PMS-WP-R

CHECKED BY  
 Robert Hsu

DATE  
 2006/05/30

APPROVED BY  
 MAX

DATE  
 2006/06/02