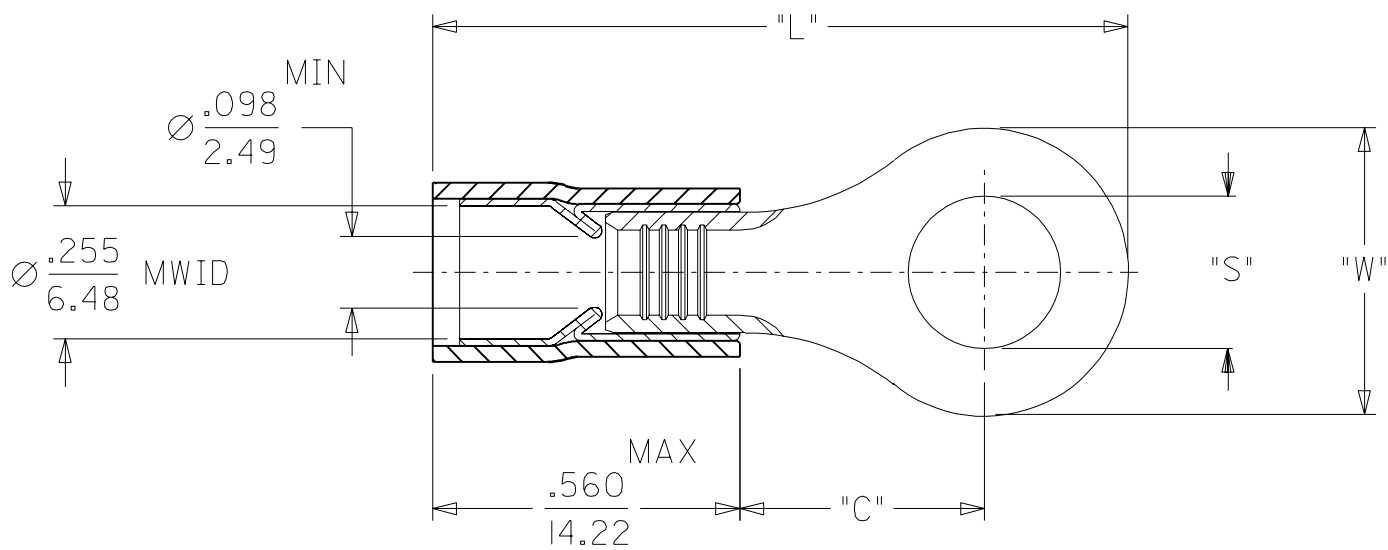
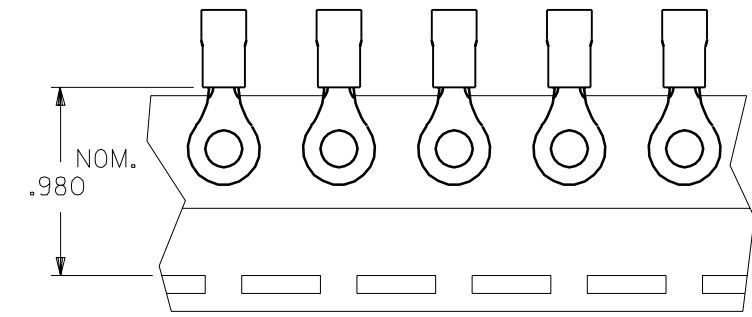


MATERIAL NUMBER	ALTERNATE NUMBER	STUD SIZE	"S"	"W" MAX	"C" MIN	"L" MAX	PACKAGING
190580021	B-801-14HDX	1/4	.265 (6.73)	.760 (19.30)	.641 (16.28)	1.581 (40.15)	LOOSE PIECE
190580025	B-801-56HDX	5/16	.328 (8.33)	.760 (19.30)	.641 (16.28)	1.581 (40.15)	
190580023	B-801-38HDX	3/8	.390 (9.91)	.760 (19.30)	.641 (16.28)	1.581 (40.15)	
190580027	B-801-76HDX	7/16	.453 (11.51)	.760 (19.30)	.641 (16.28)	1.581 (40.15)	
190580018	B-801-12HDX	1/2	.515 (13.08)	.760 (19.30)	.641 (16.28)	1.581 (40.15)	
190580035	B-828-04HDX	4	.123 (3.12)	.385 (9.78)	.423 (10.74)	1.086 (27.58)	TAPE MOUNTED
190580039	B-828-06HDX	6	.146 (3.70)	.385 (9.78)	.423 (10.74)	1.086 (27.58)	
190580045	B-828-08HDX	8	.173 (4.39)	.385 (9.78)	.423 (10.74)	1.086 (27.58)	
190580051	B-828-10HDX	10	.198 (5.03)	.385 (9.78)	.423 (10.74)	1.086 (27.58)	
190580054	B-828-209HDX	209	.209 (5.31)	.385 (9.78)	.423 (10.74)	1.086 (27.58)	
190580019	B-801-12HDX	1/2	.515 (13.08)	.760 (19.30)	.641 (16.28)	1.581 (40.15)	
190580036	B-828-04HDX	4	.123 (3.12)	.385 (9.78)	.423 (10.74)	1.086 (27.58)	
190580040	B-828-06HDX	6	.146 (3.70)	.385 (9.78)	.423 (10.74)	1.086 (27.58)	
190580046	B-828-08HDX	8	.173 (4.39)	.385 (9.78)	.423 (10.74)	1.086 (27.58)	
190580053	B-828-10HDX	10	.198 (5.03)	.385 (9.78)	.423 (10.74)	1.086 (27.58)	



- NOTES:
 1. MATERIAL: COPPER
 PLATING: ELECTROPLATE TIN
 2. FERRULE: TIN-PLATED BRASS
 3. INSULATION: BLUE NYLON
 4. MWID=MAXIMUM WIRE INSULATION DIA.
 5. ALL DIMENSIONS IN INCHES/(MM).

CUSTOMER DRAWING

A	NEW CUST. DWG. ETC2001-0196 2000/11/17 EDB
LTR.	REVISIONS

DIMENSIONS SHOWN (METRIC) INCH		REVISE ONLY ON CAD SYSTEM																			
UNLESS OTHERWISE SPECIFIED TOLERANCES: ANGULAR ± 1/2°		TITLE AVIKRIMP EXPANDED RING TONGUE TERMINAL HEAVY DUTY 16-14 AWG																			
<table border="1"> <thead> <tr> <th></th> <th>INCH</th> <th>METRIC</th> </tr> </thead> <tbody> <tr> <td>3 PLACE</td> <td>± .005</td> <td>± ---</td> </tr> <tr> <td>2 PLACE</td> <td>± .01</td> <td>± 0.13</td> </tr> <tr> <td>1 PLACE</td> <td>± ---</td> <td>± 0.25</td> </tr> </tbody> </table>			INCH	METRIC	3 PLACE	± .005	± ---	2 PLACE	± .01	± 0.13	1 PLACE	± ---	± 0.25	<table border="1"> <tr> <td>molex ETC INC.</td> <td>SHEET NO.</td> <td>DATE</td> </tr> <tr> <td>PINELLAS PARK, FLA. 33781 U.S.A.</td> <td>1 OF 1</td> <td>00/09/29</td> </tr> </table>		molex ETC INC.	SHEET NO.	DATE	PINELLAS PARK, FLA. 33781 U.S.A.	1 OF 1	00/09/29
	INCH	METRIC																			
3 PLACE	± .005	± ---																			
2 PLACE	± .01	± 0.13																			
1 PLACE	± ---	± 0.25																			
molex ETC INC.	SHEET NO.	DATE																			
PINELLAS PARK, FLA. 33781 U.S.A.	1 OF 1	00/09/29																			
DRAFT WHERE APPLICABLE MUST REMAIN WITHIN DIMENSIONS		PART NO. SEE TABLE																			
DRWG. BY: EDB		DRWG. NO. SD-19058-002																			
APP'D. BY: RWD		FILE NAME SD19058002 DGN																			
CHK'D. BY: RWD		THIS DRAWING CONTAINS INFORMATION THAT IS PROPRIETARY TO MOLEX-ETC INC. AND SHOULD NOT BE USED WITHOUT WRITTEN PERMISSION.																			
SCALE: NO:NE		DIV. ET																			
		SIZE B																			