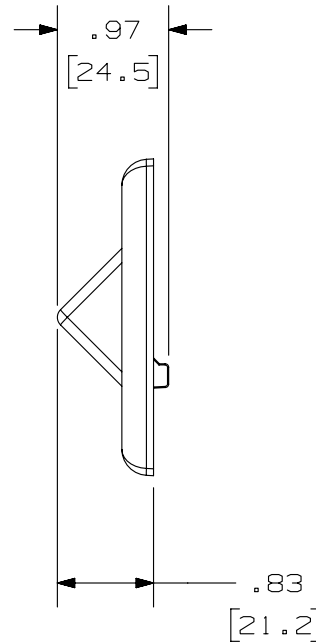
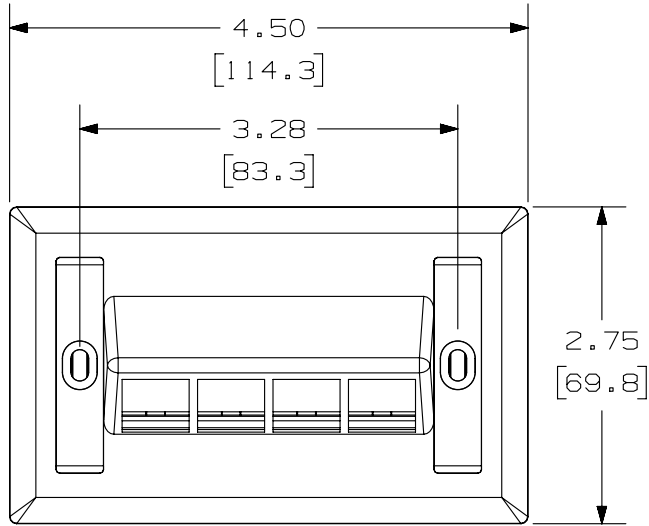


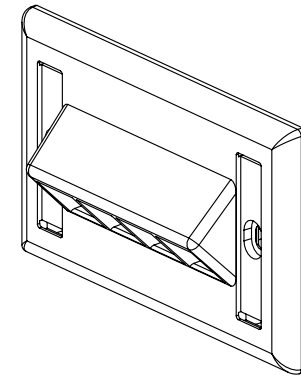
THIS COPY IS PROVIDED ON A RESTRICTED BASIS AND IS NOT TO BE USED IN ANY WAY DETRIMENTAL TO THE INTERESTS OF PANDUIT CORP.

PANDUIT P/N	WEIGHT
NK4HSF**Y	.56 LB/10 PCS (255 g/10 PCS)



NOTES:

- SEE CURRENT CATALOG FOR ADDITIONAL PART SUFFIXES TO INDICATE COLOR AND OR PACKAGE QUANTITY.
- FACEPLATE WILL ACCEPT FOUR STANDARD NETKEY MODULES.
- PART INCLUDES:
 - 1- FACEPLATE
 - 2- MOUNTING SCREW
 - 2- LABEL
 - 2- LABEL COVER
- DIMENSIONS IN [] ARE IN METRIC.



PART NUMBER		NK4HSF**Y	
TITLE			
NETKEY 4 POSITION SINGLE GANG HORIZONTAL SLOPED		FACEPLATE WITH LABEL	
CUSTOMER DRAWING			
ITEM REVISION NAME		M02479BK/06	
DATASET FILE NAME		M02479BK_DC037/06A	
UNLESS OTHERWISE SPECIFIED, DIMENSIONAL TOLERANCES ARE: IN [mm]		MATERIAL:	
.x ± .xx ± .03 [.8]		ABS	
.xxx ± .010 [.3]		DRAWING NUMBER:	
ANGLES ±		02479-037	
THIRD ANGLE PROJECTION		SHT 1 OF 1	
DRAWN BY	DATE	CHK	SCALE
JSP	7-29-06		NONE
REV	DATE	BY	CHK
1	5-12-14	MDJR	REFR
R	7-29-06	JSP	
APR	DESCRIPTION		ECN
	A. UPDATED TITLE BLOCK.		02479-037
	RELEASED TO PRODUCTION		02479-037

D10100DA/14