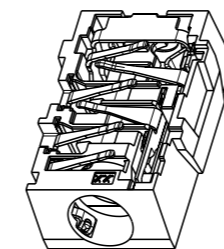


LOC	DIST
H	-

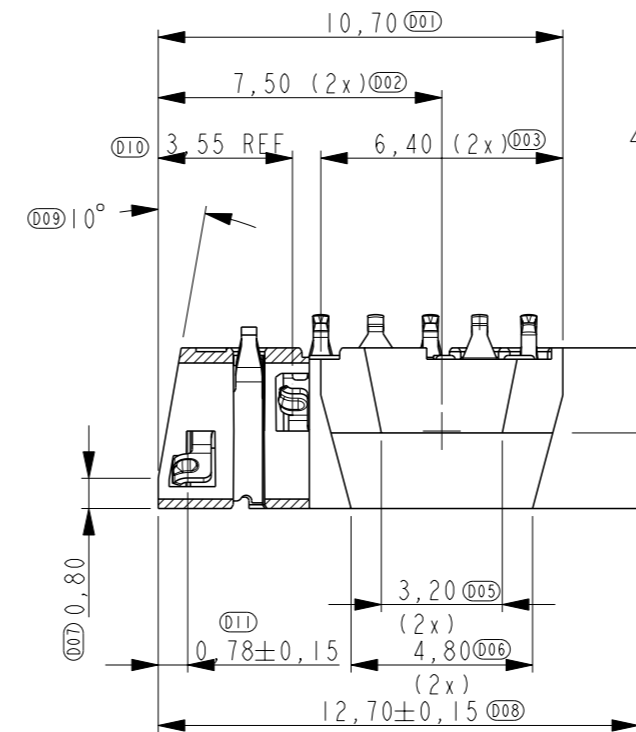
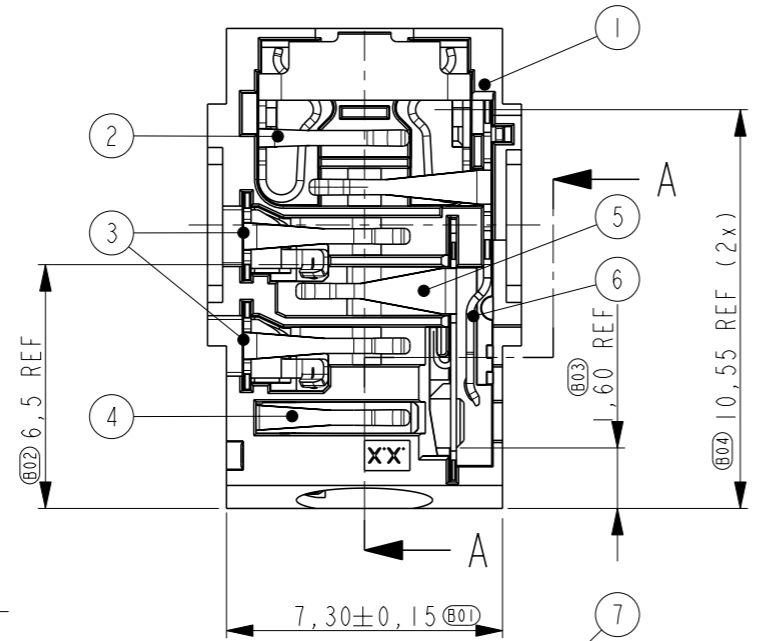
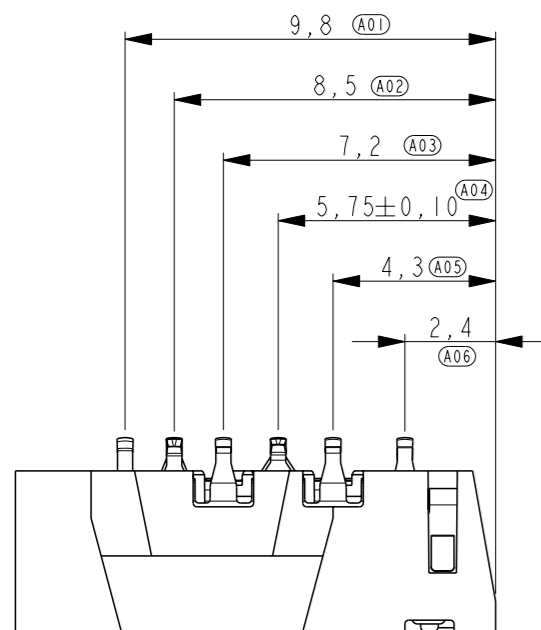
REVISIONS					
P	LTR	DESCRIPTION	DATE	DWN	APVD
	A	ECR-12-004586	19MAR2012	MG	DH



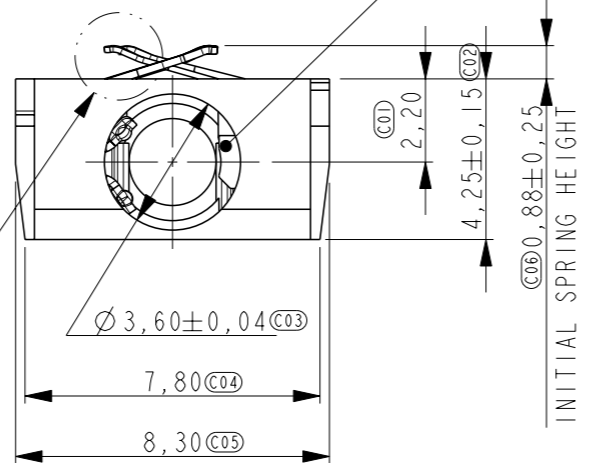
SCALE 5:2

NOTES:

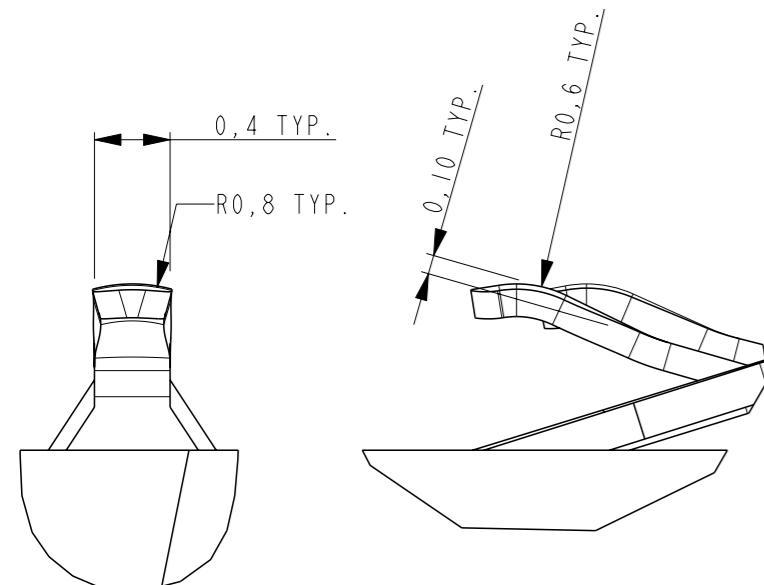
- 1 PN. AS SHOWN 2173014-1.
- 2 MARKING: P=PRODUCTION LOCATION, Y=YEAR, WW=WEEK, D=DAY, LL=PRODUCTION LINE, S=SHIFT
- 3 RECOMMENDED PWB LAYOUT SEE SHEET 2
- 4 PACKAGING IN EIA 481-D SEE SHEET 3
- 5 NUMBER OF PRODUCTS ON REEL/IN BOX SEE SHEET 3
- 6 MAX WORKING RANGE 0.50 MM (SEE ALSO SHEET 2) WITH Fmin=0.20N



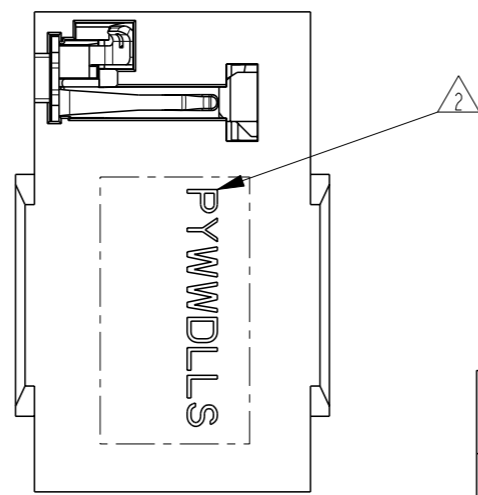
SECTION A-A



SEE DETAIL A



DETAIL A SCALE 25:1

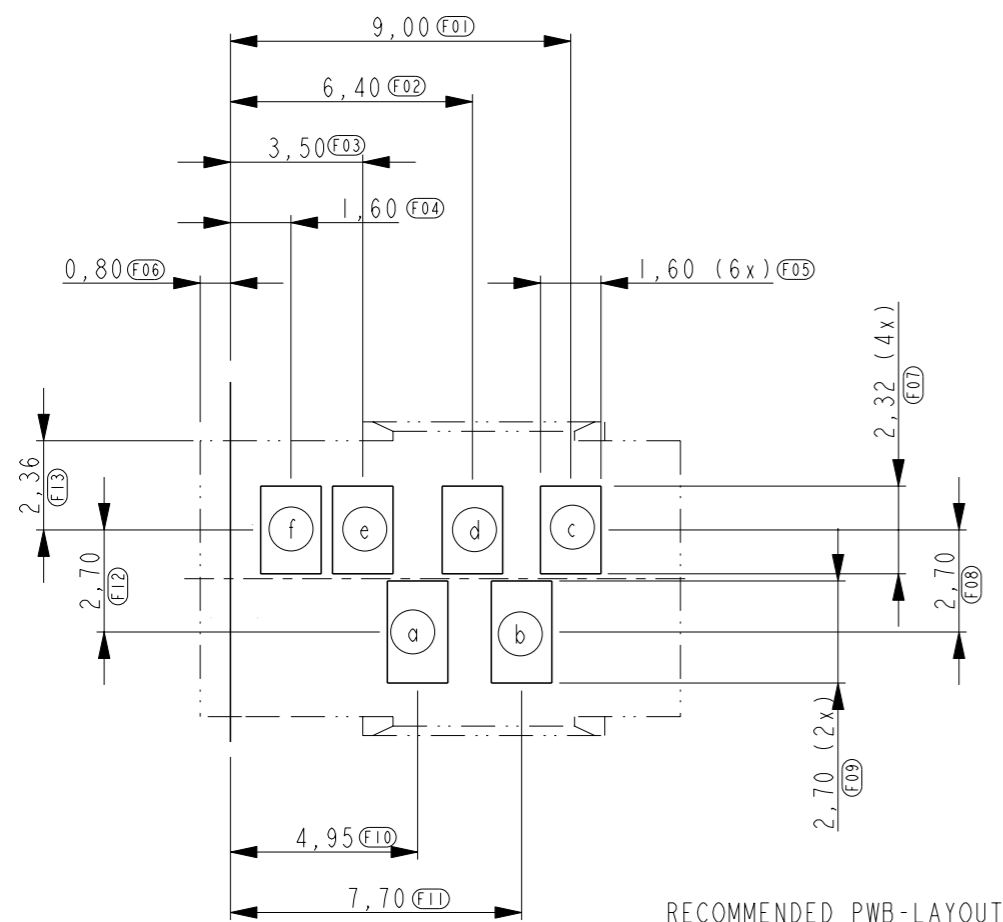
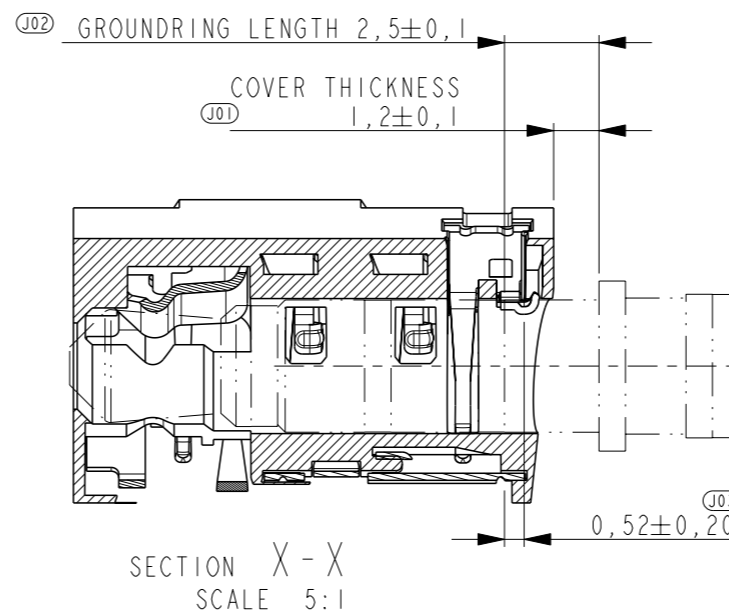


ITEM NO.	DESCRIPTION	MATERIAL	FINISH
7	ACTUATOR	PA, 35% G.F.	
6	PLUGDETECTION CONTACT	Cu Alloy	1.3 µm Ni overall; flashgold over 0.3 µm PdNi selectively on all contacting areas
5	SWITCH CONTACT	Cu Alloy	1.3 µm Ni overall; flashgold over 0.3 µm PdNi selectively on all contacting areas
4	GROUND CONTACT	Cu Alloy	1.3 µm Ni overall; flashgold over 0.3 µm PdNi selectively on all contacting areas
3	RIGHT/MIC CONTACT	Cu Alloy	1.3 µm Ni overall; flashgold over 0.3 µm PdNi selectively on all contacting areas
2	LEFT CONTACT	Cu Alloy	2.0 µm Ni overall; flashgold over 0.3 µm PdNi selectively; compressive springside 0.5 Au only
1	HOUSING	PA, 35% G.F.	

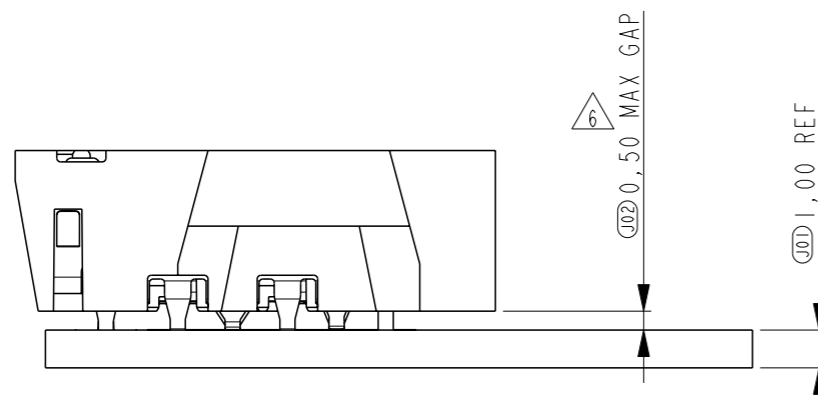
THIS DRAWING IS A CONTROLLED DOCUMENT.		DWN 12nov2010 M.Gosselink
DIMENSIONS: mm		CHK 12nov2010 M.Gosselink
TOLERANCES UNLESS OTHERWISE SPECIFIED:		APVD 12nov2010 D.Halberstadt
0 PLC	±-	PRODUCT SPEC
1 PLC	±0.1	108-19423
2 PLC	±0.05	APPLICATION SPEC
3 PLC	±0.025	-
4 PLC	±0.01	WEIGHT -
ANGLES	±2	
MATERIAL -	FINISH -	

		TE Connectivity	
		NAME	
3.5mm AV connector, compressive, chamfered			
SIZE	CAGE CODE	DRAWING NO	RESTRICTED TO
A3	00779	C-2173014	-
CUSTOMER DRAWING		SCALE 5	SHEET 1 OF 3 REV A

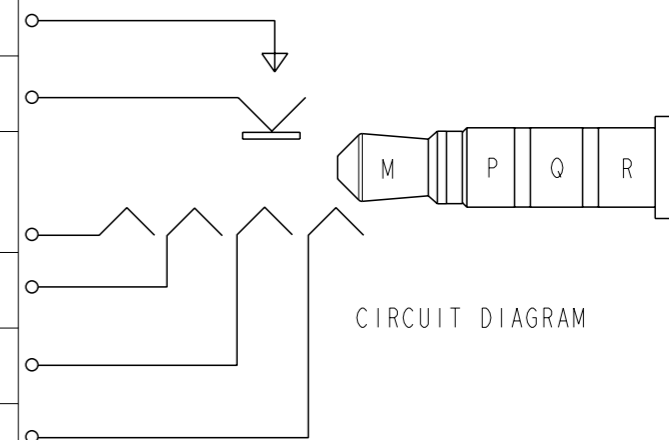
LOC	DIST	REVISIONS			
P	LTR	DESCRIPTION	DATE	DWN	APVD
H	-	SEE SHEET 1	-	-	-



RECOMMENDED PWB-LAYOUT



Plug Band	Layout No.	Contact No.
	b	6#
	a	5#
M	c	4#
P	d	3#
Q	e	2#
R	f	1#



CIRCUIT DIAGRAM

THIS DRAWING IS A CONTROLLED DOCUMENT.		DWN M.Gosselink 12nov2010	TE Connectivity	
DIMENSIONS: mm		CHK M.Gosselink 12nov2010		
TOLERANCES UNLESS OTHERWISE SPECIFIED:		APVD D.Halberstadt 12nov2010	NAME	
0 PLC ±-		PRODUCT SPEC 108-19423	3.5mm AV connector, compressive, chamfered	
1 PLC ±0.1		APPLICATION SPEC -	SIZE A3	CAGE CODE 00779
2 PLC ±0.05		WEIGHT -	DRAWING NO C-2173014	RESTRICTED TO -
3 PLC ±0.025		CUSTOMER DRAWING		
4 PLC ±0.01		SCALE 5	SHEET 2 OF 3	REV A
ANGLES ±2				
MATERIAL -				
FINISH -				

THIS DRAWING IS UNPUBLISHED.

RELEASED FOR PUBLICATION

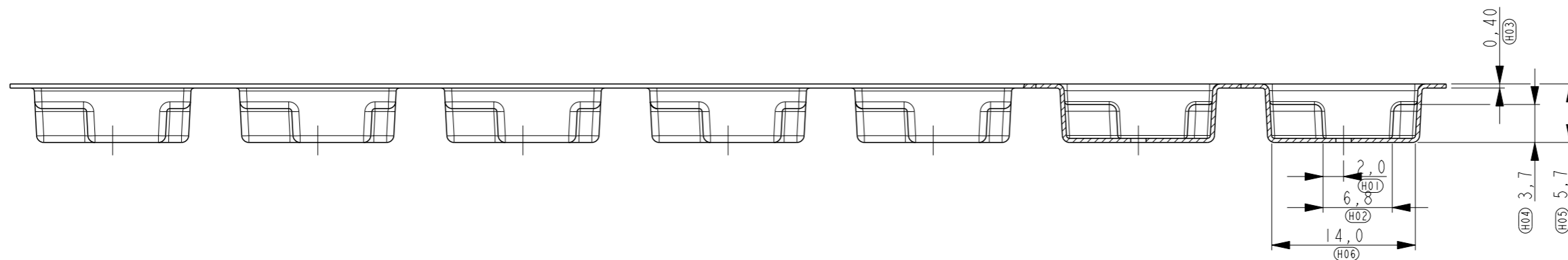
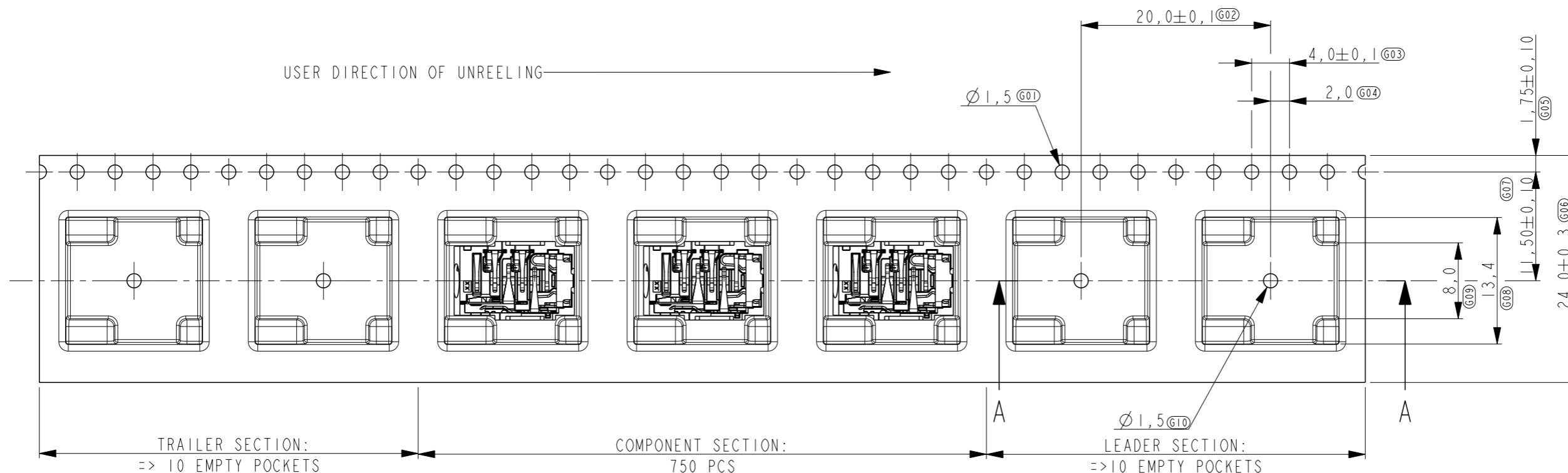
© COPYRIGHT - BY -

ALL RIGHTS RESERVED.

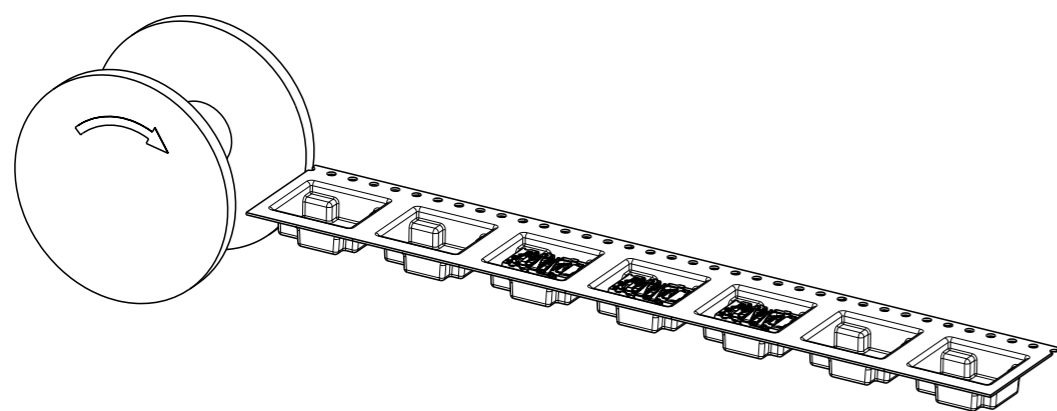
LOC	DIST	REVISIONS			
P	LTR	DESCRIPTION	DATE	DWN	APVD
H	-	SEE SHEET 1	-	-	-


PACKAGING QUANTITY		
PCS/REEL	REEL/BOX	PCS/BOX
750	8	6000

USER DIRECTION OF UNREELING →



SECTION A-A



THIS DRAWING IS A CONTROLLED DOCUMENT.		DWN M. Gosselink 12nov2010	 TE Connectivity		
DIMENSIONS: mm		CHK M. Gosselink 12nov2010			
TOLERANCES UNLESS OTHERWISE SPECIFIED:		APVD D. Halberstadt 12nov2010	NAME 3.5mm AV connector, compressive, chamfered		
0 PLC ±- 1 PLC ±0.1 2 PLC ±0.05 3 PLC ±0.025 4 PLC ±0.01 ANGLES ±2		PRODUCT SPEC 108-19423	RESTRICTED TO -		
MATERIAL -		APPLICATION SPEC -	SIZE A3	CAGE CODE 00779	DRAWING NO C-2173014
FINISH -		WEIGHT -	SCALE 5		SHEET 3 OF 3
		CUSTOMER DRAWING	REV A		