

## Housing - HC-MOD-K-TMS-M1M20-G-PE - 1408520

Please be informed that the data shown in this PDF Document is generated from our Online Catalog. Please find the complete data in the user's documentation. Our General Terms of Use for Downloads are valid (<http://download.phoenixcontact.com>)



Plastic sleeve housing for modules for a module slot, with PE marking for pos. 1, with snap locking

### Key commercial data

Packing unit	0
Minimum order quantity	1
Catalog page	Page 554 (PC-2011)
GTIN	 4 046356 619264
Custom tariff number	85389099
Country of origin	GERMANY

### Technical data

#### General data

Height	77.9 mm
Width	26.5 mm
Length	60 mm
Color	light gray
Locking type	Clip locking
No. of cable exits	1
Cable exit	Straight
Screw connection	With
Type of the screw connection	1x M20
External cable diameter	6 mm ... 13 mm
Degree of protection for housing	IP65 protection when the connector is inserted
Ambient temperature (operation)	-40 °C ... 85 °C
Housing material	polycarbonate
Cable gland material	Polyamide
Cable seal material	NBR
Inflammability class according to UL 94	V0
Assembly instructions	For housing with PE marking, pos. 1 of the module is used as PE

# Housing - HC-MOD-K-TMS-M1M20-G-PE - 1408520

## Classifications

### eclass

eCl@ss 4.0	23090101
eCl@ss 4.1	23090101
eCl@ss 5.0	23090101
eCl@ss 5.1	23090101
eCl@ss 6.0	23090101
eCl@ss 7.0	23090101

### etim

ETIM 4.0	EC000437
----------	----------

### unspsc

UNSPSC 6.01	31161807
UNSPSC 7.0901	31161807
UNSPSC 11	31161807
UNSPSC 12.01	31161807
UNSPSC 13.2	31161807

## Accessories

### Accessories

Coding profile - HC-MOD-K-CP - 1408562



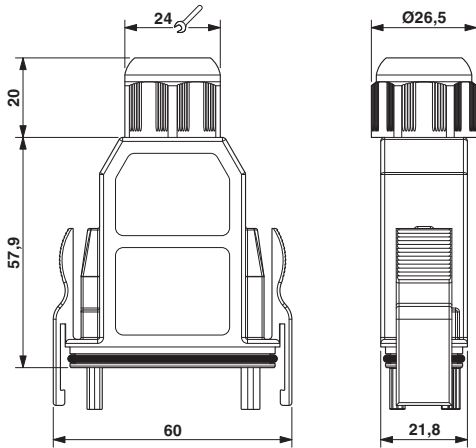
Coding profile for HC-MOD-K... housing

---

## Drawings

# Housing - HC-MOD-K-TMS-M1M20-G-PE - 1408520

Dimensioned drawing



Dimensional drawing

---

© Phoenix Contact 2012 - all rights reserved  
<http://www.phoenixcontact.com>