

注記

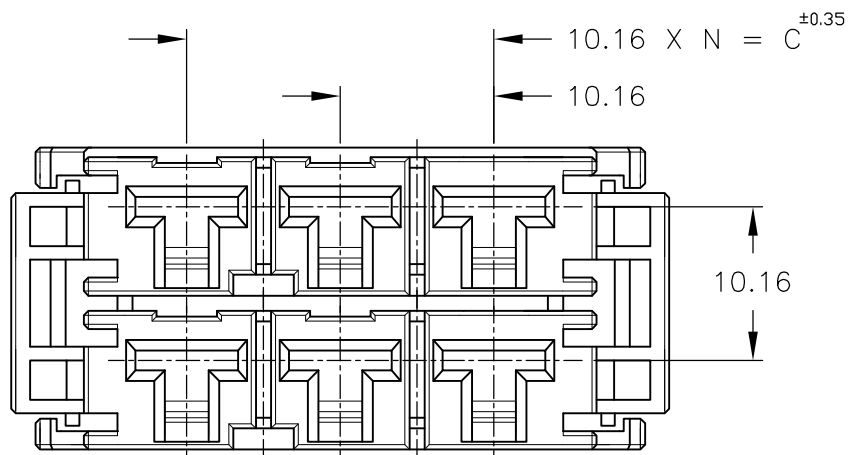
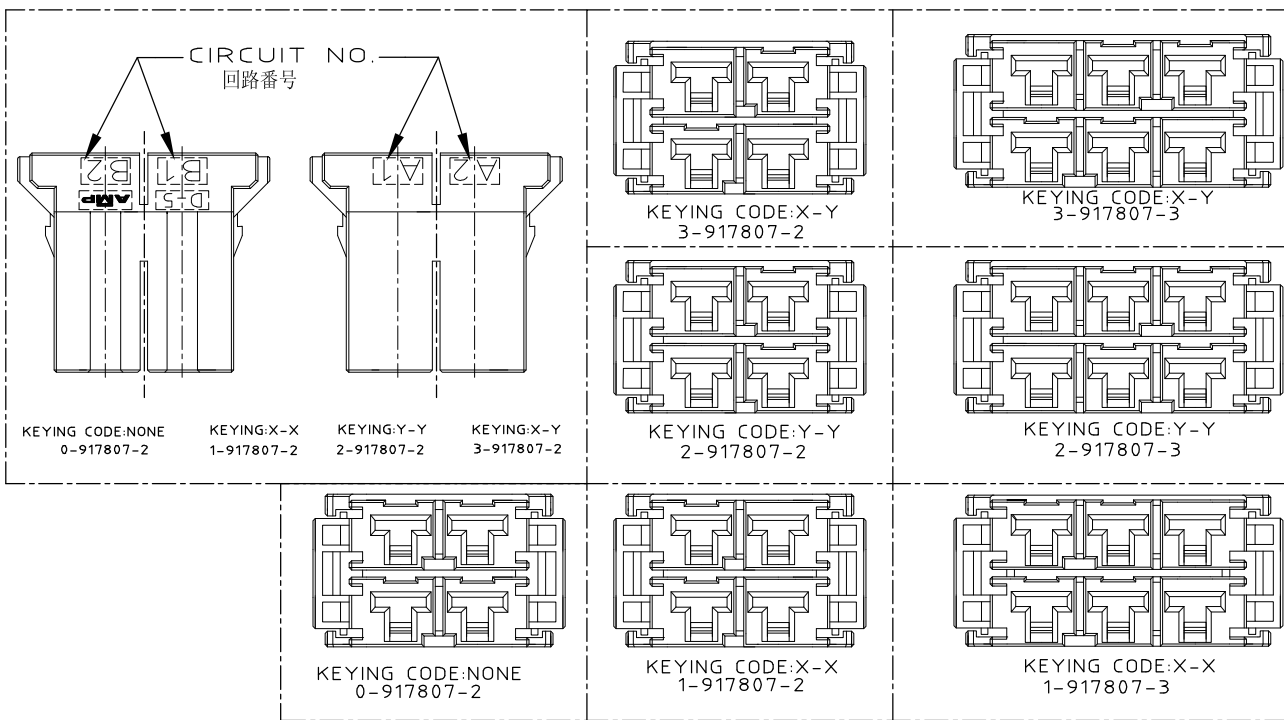
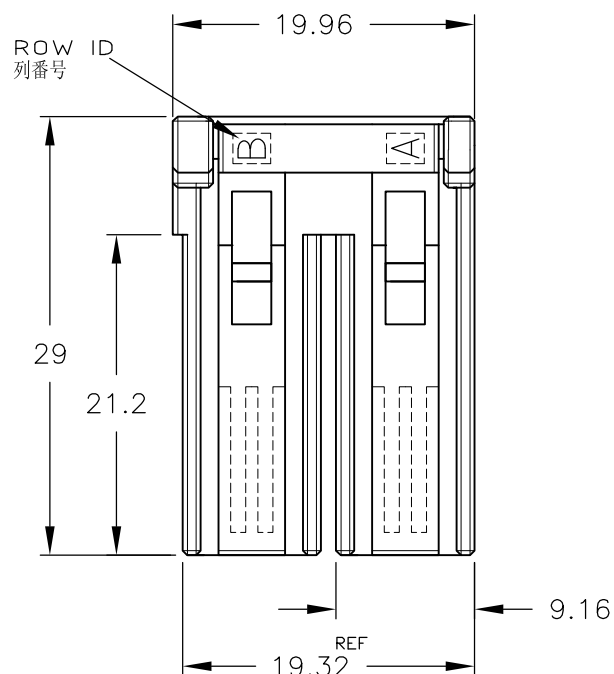
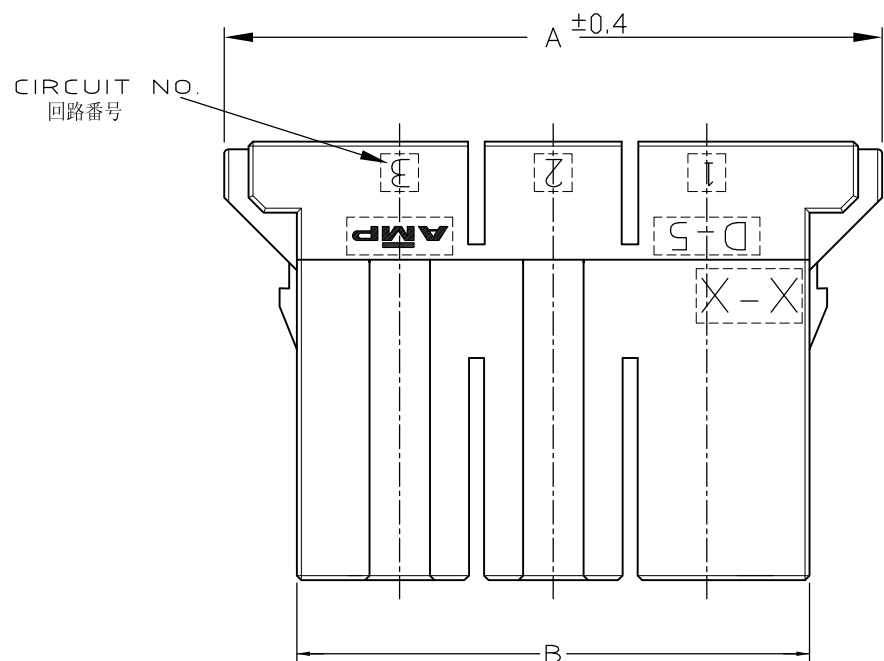
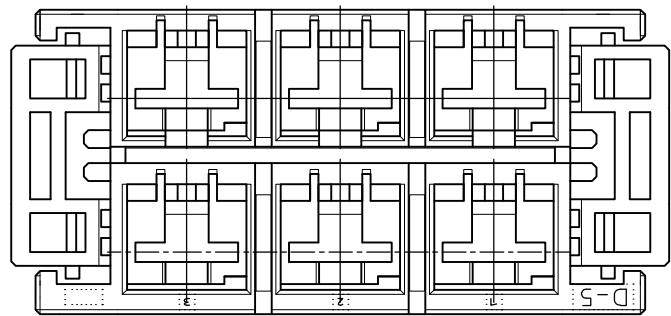
1 材料 ハウジング ガラス入り熱可塑性  
ポリエステル樹脂(94V-0),色 黒

~~2 ハウジング全面にテフロン塗装のこと~~

NOTES

1 MATERIAL:HOUSING:GLASS FILED THERMO PLASTIC  
POLYESTER(94V-0),COLOR:BLACK

~~2 TO COAT ALL SURFACE OF HOUSING WITH TEFLON~~



KEYING CODE:X-X  
1-917807-3

OBSOLETE	20.32	33.92	43.52	2	6	5-917807-3
						3-917807-3
						2-917807-3
OBSOLETE						1-917807-3
OBSOLETE						6-917807-2
						5-917807-2
						3-917807-2
						2-917807-2
						1-917807-2
	10.16	23.76	33.36	1	4	0-917807-2
FINISH	C	B	A	N	POS	P/N
WIRE RANGE 抱合電線断面積				INSULATION DIA 被覆外径		

DOWNSIDE		DWN K.IKEDA 31/OCT/95
CHECK		CHK Y.ISHIKAWA 31/OCT/95
APPROVED		APVD S.MANABE 1/NOV/95
PRODUCT SPEC 製品規格		108-5453
APPLICATION SPEC 取付適用規格		114-5206
WEIGHT		T1
CUSTOMER DRAWING		

2列リセハウジング  
DOUBLE ROW REC HSG  
<DYNAMIC D-5200 M>

SIZE A3  
CAGE CODE 00779  
DRAWING NO 917807

SCALE 2-1 SHEET 1 OF 1 REV C3