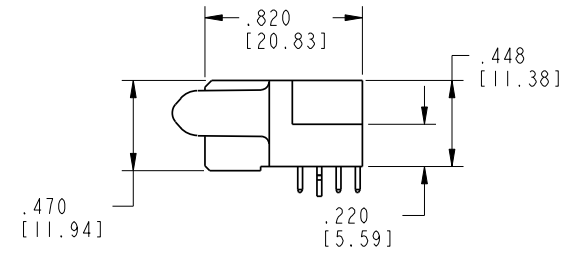
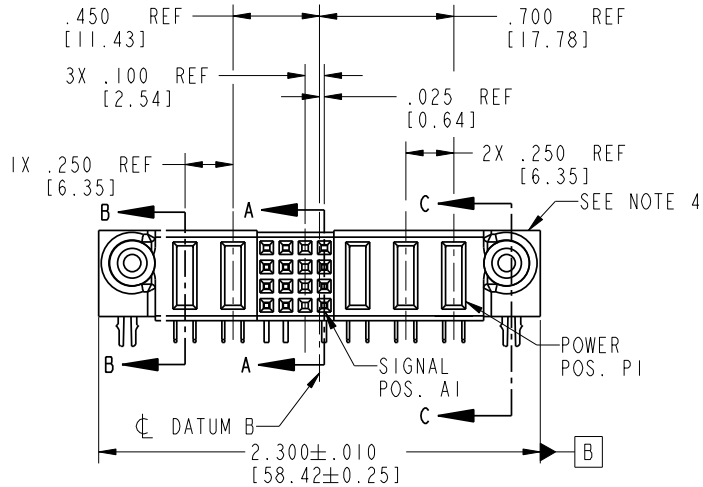
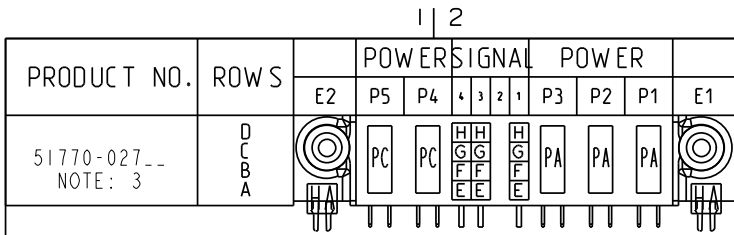


Tous droits strictement réservés. Reproduction ou communication o des liers interdite sous quelque forme que ce soit sans autorisation écrite du propriétaire. Propriete de c FCI. Droits de reproduction FCI.

All rights strictly reserved. Reproduction or issue to third parties in any form whatever is not permitted without written authority from the proprietor. Property of FCI. Copyright FCI.

FCI



CODE	DIM "M" MATING LENGTH	CONTACT TYPE
PC	.092 [2.34]	POWER
PA	.042 [1.07]	POWER
H	N/A [N/A]	SIGNAL
G	N/A [N/A]	SIGNAL
F	N/A [N/A]	SIGNAL
E	N/A [N/A]	SIGNAL
HA	N/A [N/A]	HOLD-DOWN

mat'l code				tolerances unless otherwise specified		CUSTOMER	
SEE NOTE 2						FCI www.fciconnect.com	
lir	ecn no.	dr	date	linear	.XX±.01/0.X±0.3	COPY	
A	DG06-0077	JMG	02/27/06		.XXX±.005/0.XX±0.13	projection	
B	DG06-0105	JMG	03/15/06	angles	.XXXX±.0020/0.XXX±0.051	INCH/MM	
				dr	JM GUO 02/27/06	scale	
				enrg	SLUO 02/27/06	1:1	
				chr	VICTOR LIN 02/27/06	product family	
				appd	JOSEPH HSIA 02/27/06	PwrBlade	
sheet index	revision sheet	B 1	B 2	B 3	B 4	size	code
						A	213
						51770-027	sheet
							1 of 4

Pro/E

PDM: Rev: B

STAT **US: Released**

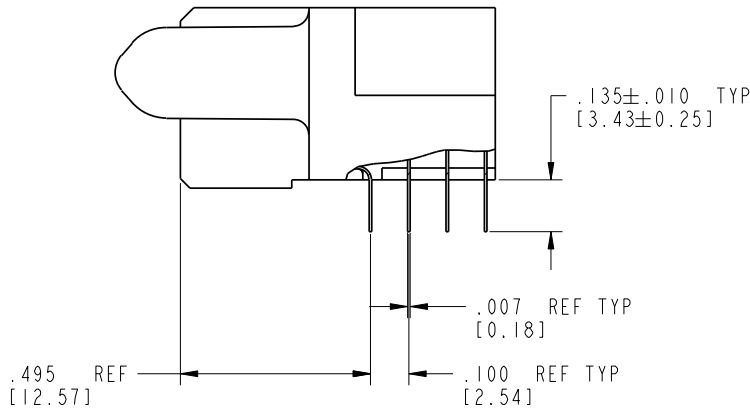
Printed: Dec 20, 2010

Tous droits strictement réservés. Reproduction ou communication o des liers interdite sous quelque forme que ce soit sans autorisation écrite du propriétaire. Propriete de c FCI. Droits de reproduction FCI.

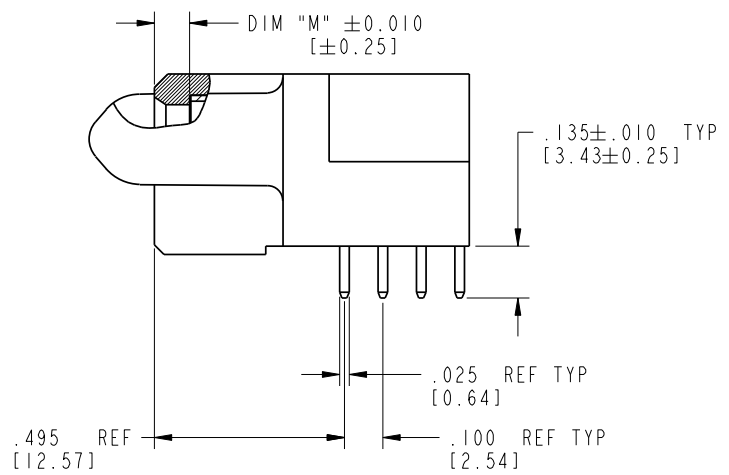
All rights strictly reserved. Reproduction or issue to third parties in any form whatever is not permitted without written authority from the proprietor. Property of FCI. Copyright FCI.

A
FCI

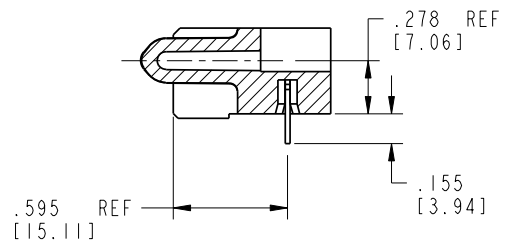
PRODUCT NUMBER
51770-027__
NOTE: 3



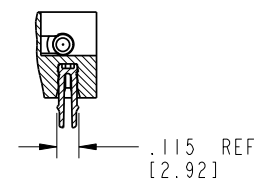
BROKEN-OUT SECTION A-A
SCALE 2:1



BROKEN-OUT SECTION B-B
SCALE 2:1



SECTION C-C



SECTION E-E

mat'l code		SEE NOTE 2		tolerances unless otherwise specified		CUSTOMER		 www.fciconnect.com	
lir	ecn no.	dr	date	linear	.XX±.01/0.X±0.3	COPY		title	
B					.XX±.005/0.XX±0.13	projection		3P + 16S + 2P	
				angles	.XXX±.0020/0.XXX±0.051			R/A STB RECEPTACLE	
				dr	JM GUO 02/27/06	INCH/MM		product family	
				enrg	SLUO 02/27/06	scale		PwrBlade	
				chr	VICTOR LIN 02/27/06	1:1		code	
				appd	JOSEPH HSIA 02/27/06			213	
sheet index	revision sheet							size	
								A 51770-027	
								sheet	
								2 of 4	

A

A

B

B

1 | 2

3 |

4

1 | 2

Pro/E

PDM: Rev: B

STAT **US: Released**

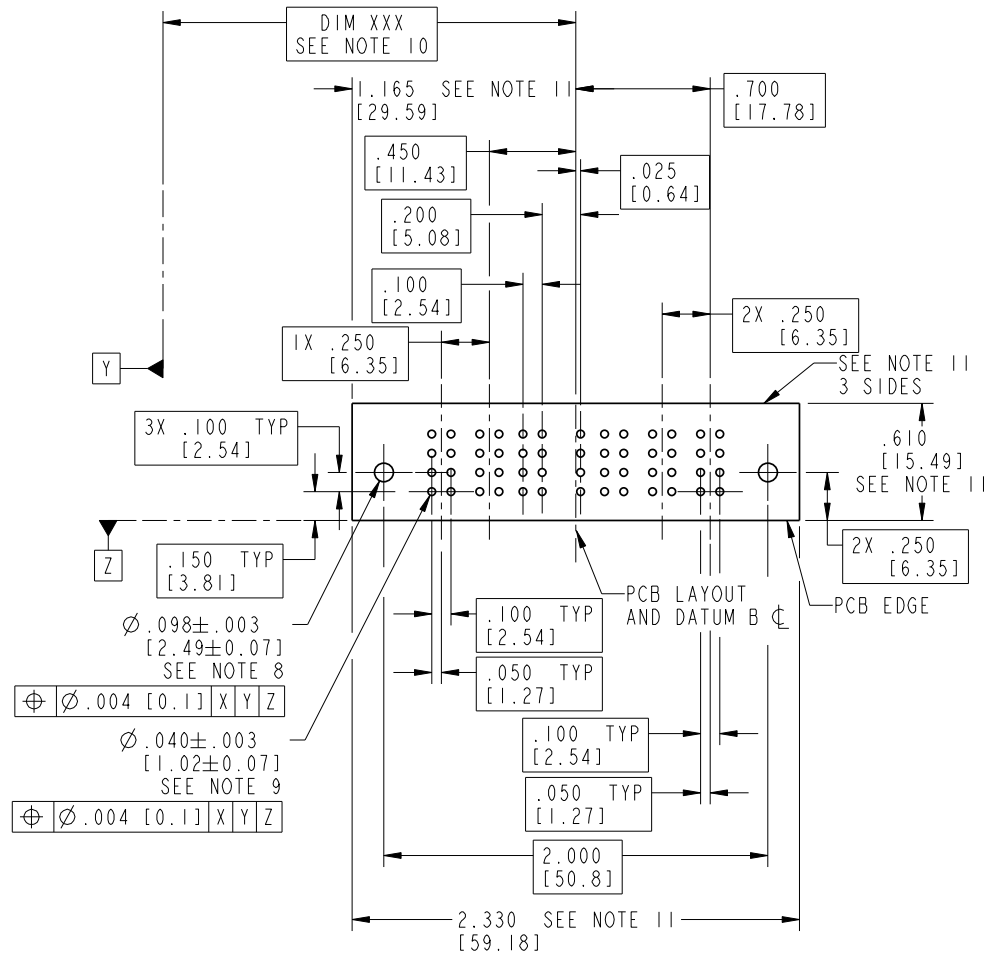
Printed: Dec 20, 2010


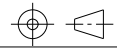
Tous droits strictement réservés. Reproduction ou communication o des liers interdite sous quelque forme que ce soit sans autorisation écrite du propriétaire. Propriete de c FCI. Droits de reproduction FCI.

All rights strictly reserved. Reproduction or issue to third parties in any form whatever is not permitted without written authority from the proprietor. Property of FCI. Copyright FCI.

FCI

PRODUCT NUMBER
51770-027__
NOTE: 3



mat'l code		SEE NOTE 2		tolerances unless otherwise specified		CUSTOMER		 www.fciconnect.com	
lir	ecn no.	dr	date	linear	.XX±.01/0.X±0.3	COPY		title	
B				angles	.XX±.005/0.XX±0.13	projection		3P + 16S + 2P	
				dr	.XXX±.0020/0.XXX±0.051	 INCH/MM		R/A STB RECEPTACLE	
				enr	JM GUO 02/27/06	scale		product family	
				chr	SLUO 02/27/06	1:1		PwrBlade	
				appd	VICTOR LIN 02/27/06			code	
					JOSEPH HSIA 02/27/06			213	
sheet index	revision sheet							size	
								A 51770-027	
								sheet	
								3 of 4	

Tous droits strictement réservés. Reproduction ou communication a des tiers interdite sous quelque forme que ce soit sans autorisation écrite du propriétaire. Propriété de c FCI. Droits de reproduction FCI.

A FCI

All rights strictly reserved. Reproduction or issue to third parties in any form whatever is not permitted without written authority from the proprietor. Property of FCI. Copyright FCI.

B

1 | 2

3 |

4

A

B

PRODUCT NUMBER

51770-027__
NOTE: 3

NOTES:


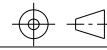

1. DIMENSIONS AND TOLERANCES ARE IN ACCORDANCE WITH ASME Y14.5M, 1994 UNLESS OTHERWISE SPECIFIED.

CONNECTOR NOTES:

- 2. HOUSING MATERIAL: UL 94 V-0 GLASS FILLED HIGH-TEMP THERMOPLASTIC
POWER CONTACT MATERIAL: COPPER ALLOY
SIGNAL PIN MATERIAL: COPPER ALLOY
- 3. 51770-027;51770-027LF;51770-027GLF PLATING SPEC. SEE PRINT:10064183
- 4. MANUFACTURER'S NAME, P/N, AND DATE CODE TO APPEAR ON THIS SURFACE.
- 5. PRODUCT SPECIFICATION GS-12-149.
APPLICATION SPECIFICATION BUS-20-067.
- 6. PACKAGED IN TRAYS.

PCB NOTES:

- 7. ALL HOLE DIAMETERS ARE FINISHED HOLE SIZE.
- 8. MOUNTING HOLES, WHERE APPLICABLE, ARE UNPLATED.
- 9. $\varnothing .0453 \pm .0010$ [1.151 \pm 0.025] DRILLED HOLES PLATED WITH .0003 [0.008] MIN SnPb OVER .001 [0.03] TO .003 [0.08] Cu PLATING TO ACHIEVE $\varnothing .040 \pm .003$ [1.02 \pm .07] HOLE.
- 10. "DIM XXX" TO BE DETERMINED BY THE CUSTOMER.
- 11. CONNECTOR KEEP-OUT ZONE.

mat'l code		SEE NOTE 2		tolerances unless otherwise specified		CUSTOMER		 www.fciconnect.com		
lir	ecn no.	dr	date	linear	.XX±.01/0.X±0.3		projection	COPY		
B					.XXX±.005/0.XX±0.13					title
				angles	.XXX±.0020/0.XXX±0.051			3P + 16S + 2P		
					$0^{\circ} + 2^{\circ}$			product family		R/A STB RECEPTACLE
				dr	JM GUO	02/27/06	scale	PwrBlade		
				enrg	SLUO	02/27/06		A	size	code
				chr	VICTOR LIN	02/27/06			51770-027	213
				appd	JOSEPH HSIA	02/27/06		dwg no	sheet	
sheet index	revision sheet						1:1		4 of 4	

1 | 2

Pro/E

PDM: Rev: B

STAT **US: Released**

Printed: Dec 20, 2010