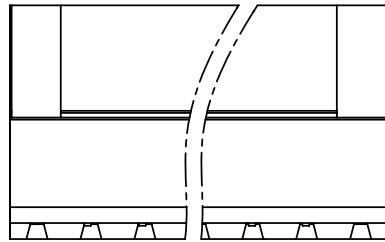
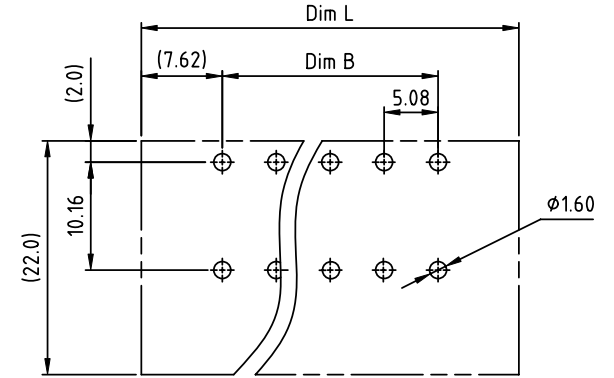


PRODUCT NUMBER	PITCH
VLxx52x100J0G	5.08 mm

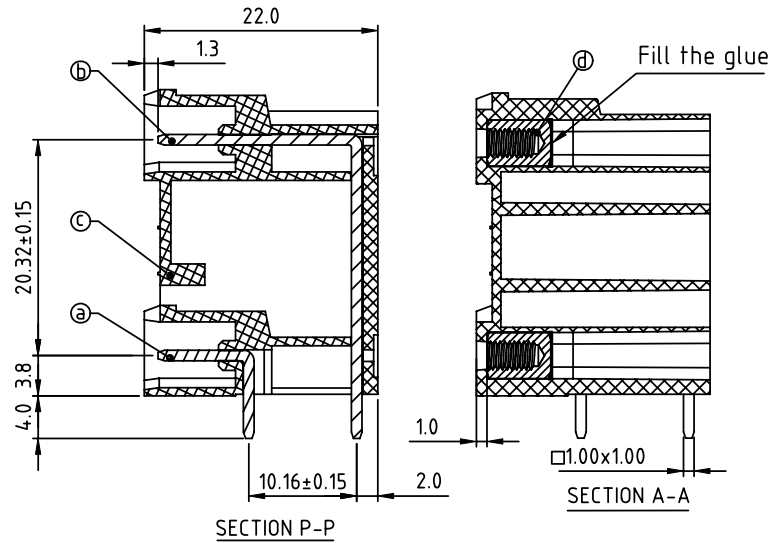
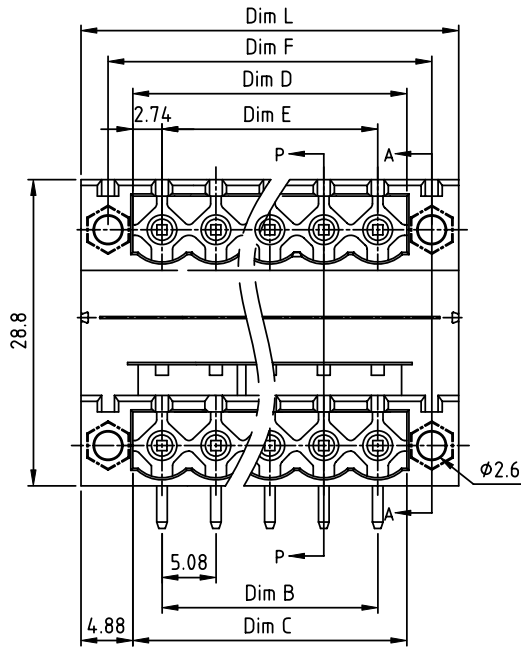


PART NO.: VL xx 5 2 x 1 00J0 G

Solid block	0	Color	Black (RAL9005)	RoHS compliant
No. of poles	2		Red (RAL3001/D)	(lead<4%)
04 2x2poles	3		Orange(RAL2011/P)	In copper Alloy
06 2x3poles	4		Yellow(RAL1018/A)	
...	...		5 Green(RAL6018/T)	
48 2x24poles	6		Blue (RAL5015/A)	
	8		Grey(RAL7035/D)	
	9		White(RAL1102)	
	C		Green(RAL6018/U)	



RECOMMENDED P.C.B LAYOUT  
TOP VIEW



- Material:
- Item ① Short pin: Copper Tin plated
  - Item ② Long pin: Copper Tin plated
  - Item ③ Terminal (housing): Thermoplastic (UL94V-0)
  - Item ④ With flange nut: Brass ,M2.5
- Electrical: cULus
- Voltage rating: 300V
  - Current rating: 20A
  - Withstanding Voltage: 1.6 KV
  - Operating temperature: -40°C to +115°C
  - Soldering temperature: 260°C±5°C/5 Sec
  - Safety Approval:

N=Number of poles  
 Dim L=(N/2+2)×5.08 Dim D=N/2×5.08+0.4  
 Dim B=(N/2-1)×5.08 Dim E=(N/2-1)×5.08  
 Dim C=N/2×5.08+0.4 Dim F=(N/2+1)×5.08

Poles	Dim L	Dim B	Dim C	Dim D	Dim E	Dim F
2x2-2x6p	±0.15	±0.15	+0.15 -0.00	+0.15 -0.00	±0.15	±0.15
2x7-2x12p	±0.25	±0.25	+0.25 -0.00	+0.25 -0.00	±0.25	±0.25
2x13-2x18p	±0.35	±0.35	+0.30 -0.00	+0.30 -0.00	±0.35	±0.35
2x19-2x24p	±0.40	±0.40	+0.40 -0.00	+0.40 -0.00	±0.40	±0.40

mat'l. code		surface ASME Y14.5	tolerance ASME Y14.5	projection	product family TERMINAL BLOCK
ltr	ecn no	dr	date		title TERMINAL BLOCK
				tolerances unless otherwise specified	PLUGGABLE SOCKET, WITH FLANGE, RIGHT ANGLE
				angles X°±1°	scale
				X.±0.5	MM
				X.X±0.3	
				X.XX±0.1	
				dr	EVIN ZHONG 042814
				enr	EVIN ZHONG 042814
				chr	HANKE FENG 042814
				appd	SHI JUN 042814
sheet index		revision	A		dwg no VLxx52x100J0G
		sheet	1		sheet 1 of 1 size A4
				type	CUSTOMER Drawing