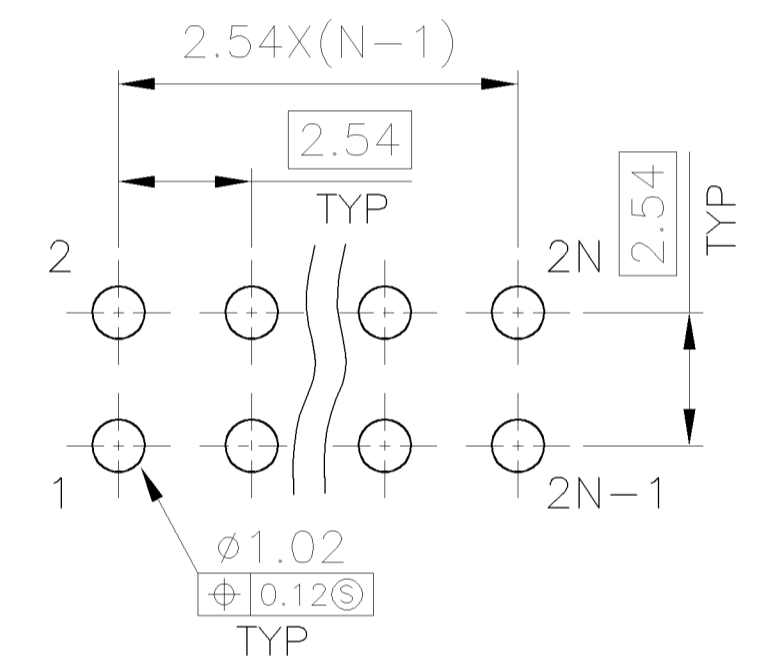
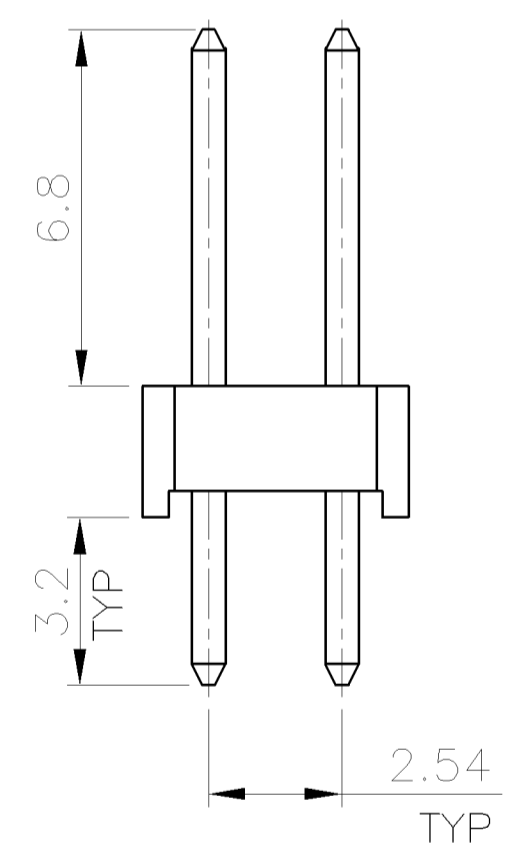
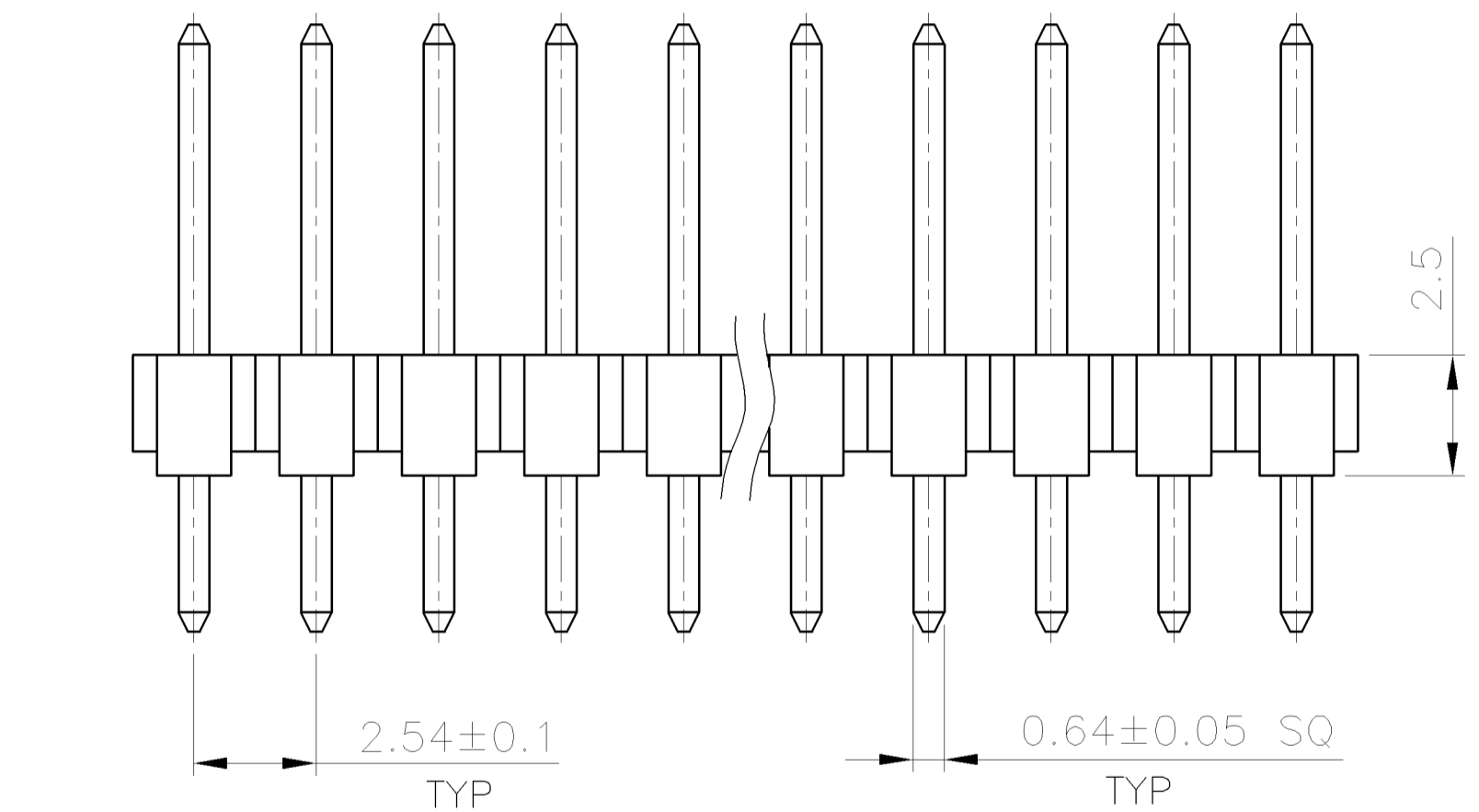
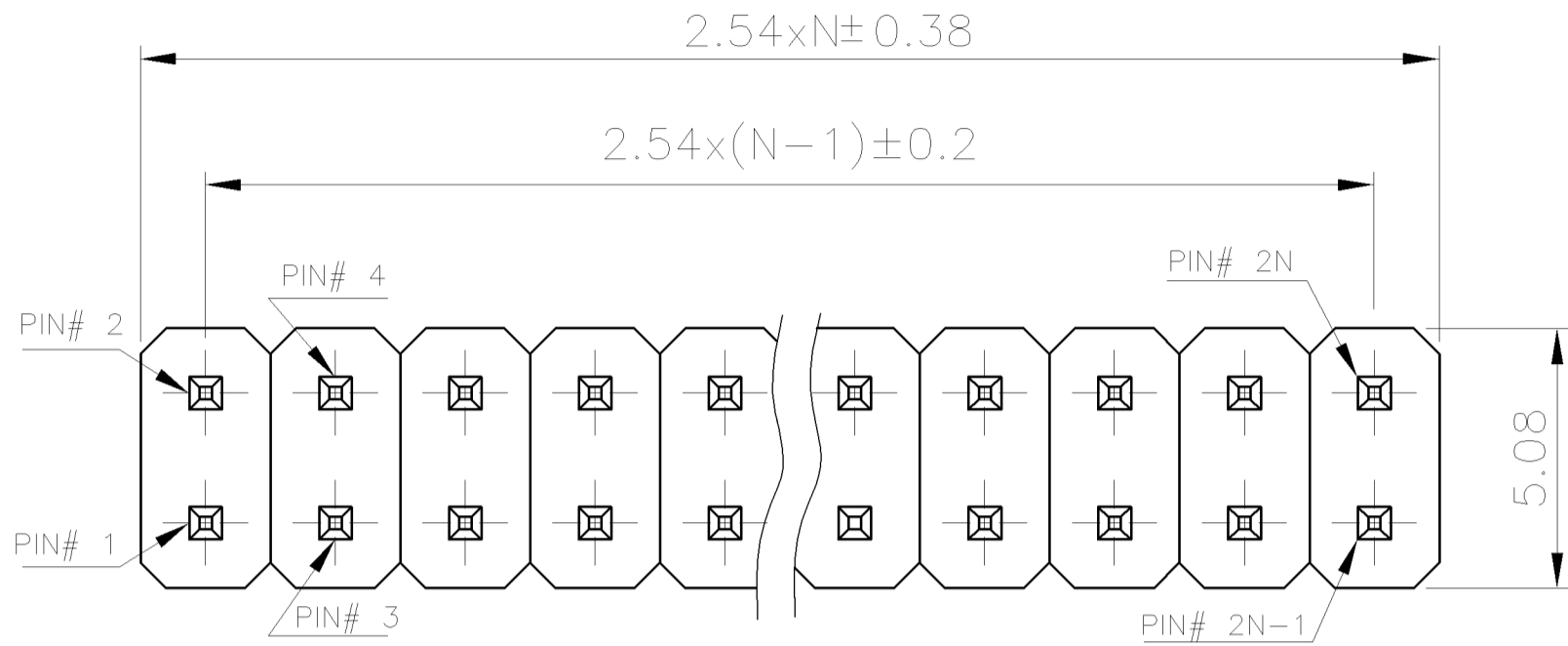


THIS DRAWING IS UNPUBLISHED. RELEASED FOR PUBLICATION
 © COPYRIGHT BY TYCO ELECTRONICS CORPORATION. ALL RIGHTS RESERVED.

LOC DW	DIST —	REVISIONS			
P	LTR	DESCRIPTION	DATE	DWN	APVD
	A	RELEASED	19MAR07	HH	SH

NOTES:

- MATERIAL:
HOUSING: THERMOPLASTIC (PA6T) WITH 30% GF, UL 94V-0.
COLOR: BLACK.
POSTS: BRASS.
- FINISH:
POSTS: GOLD FLASH PLATED OVER
1.27um[50u"] MIN. NICKEL UNDERPLATED.
- WAVE SOLDER CAPABLE TO 265°C
PER TYCO TEST SPEC. 109-202, CONDITION B.
- NO TYCO LOGO AND DATE CODE ON THE PRODUCT.

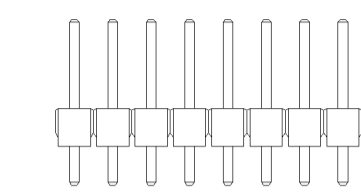


1.2	8	1775921-1
WEIGHT(g)	N	PART NUMBER

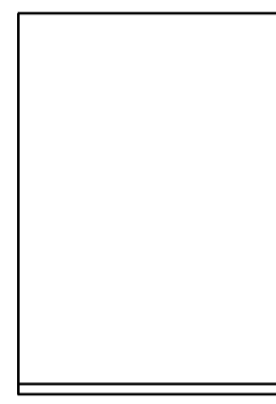
THIS DRAWING IS A CONTROLLED DOCUMENT.		DWN H. HUANG 19MAR2007	Tyco Holdings (Bermuda) VII Ltd. Taiwan Branch													
DIMENSIONS: MM		CHK S. HOU 19MAR2007														
TOLERANCES UNLESS OTHERWISE SPECIFIED:		APVD W.J. KE 19MAR2007	NAME													
<table border="0"> <tr><td>0 PLC</td><td>± -</td></tr> <tr><td>1 PLC</td><td>± 0.30</td></tr> <tr><td>2 PLC</td><td>± 0.25</td></tr> <tr><td>3 PLC</td><td>± 0.20</td></tr> <tr><td>4 PLC</td><td>± -</td></tr> <tr><td>ANGLES</td><td>± 3°</td></tr> </table>		0 PLC	± -	1 PLC	± 0.30	2 PLC	± 0.25	3 PLC	± 0.20	4 PLC	± -	ANGLES	± 3°	PRODUCT SPEC 108-57465	PIN HEADER, PITCH 2.54mm, DUAL ROW VERTICAL, DIP CONNECTOR	
0 PLC	± -															
1 PLC	± 0.30															
2 PLC	± 0.25															
3 PLC	± 0.20															
4 PLC	± -															
ANGLES	± 3°															
MATERIAL SEE NOTE		QUALIFICATION TEST REPORT 501-57535	SIZE A3	CAGE CODE 00779	DRAWING NO C-1775921											
FINISH SEE NOTE		WEIGHT SEE TABLE	RESTRICTED TO —													
		CUSTOMER DRAWING	SCALE —	SHEET 1 OF 2	REV A											

THIS DRAWING IS UNPUBLISHED. RELEASED FOR PUBLICATION
 © COPYRIGHT BY TYCO ELECTRONICS CORPORATION. ALL RIGHTS RESERVED.

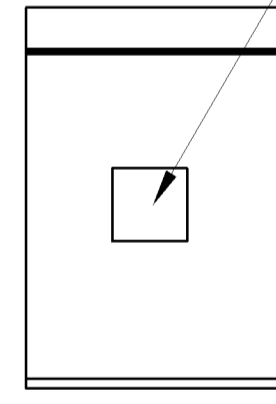
LOC	DIST	REVISIONS				
P	LTR	DESCRIPTION	DATE	DWN	APVD	
		SEE SHEET 1.				



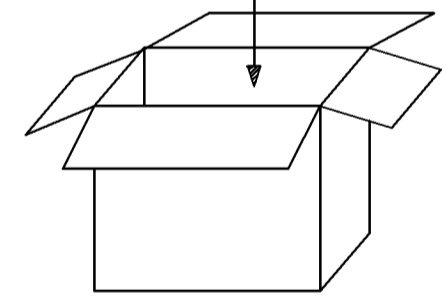
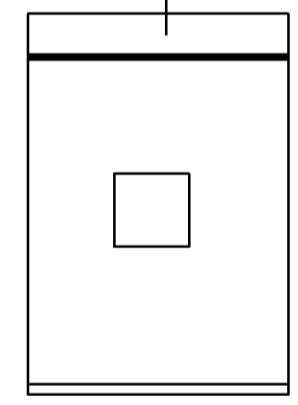
CONNECTOR



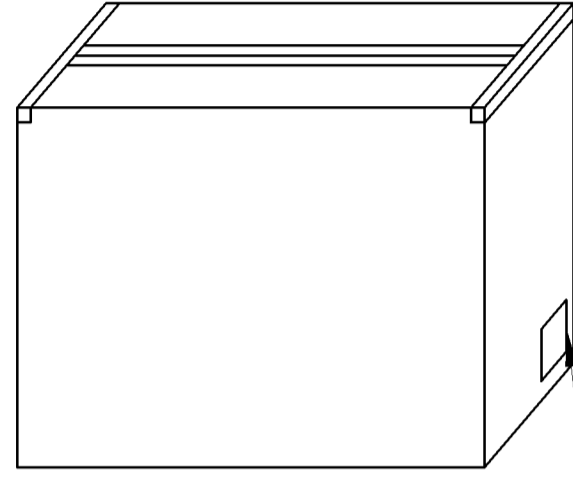
BAG



LABEL



CARTON



LABEL



NOTES:

- DIMENSION:
PE BAG: L150 X W180 X H0.8 mm.
SHIPPING CARTON: L290 X W250 X H150 mm.
- QUANTITY: (SEE TABLE)
- CARTON WEIGHT: (SEE TABLE).

3.5 KG	2.88 KG	12	200	2400	1775921-1
GROSS WEIGHT	NET WEIGHT	PE BAG/CARTON	PCS/PE BAG	PCS/CARTON	PART NUMBER

THIS DRAWING IS A CONTROLLED DOCUMENT.		DWN H. HUANG 19MAR2007	Tyco Holdings (Bermuda) VII Ltd. Taiwan Branch		
DIMENSIONS: MM		CHK S. HOU 19MAR2007			
TOLERANCES UNLESS OTHERWISE SPECIFIED:		APVD W.J. KE 19MAR2007	NAME PIN HEADER, PITCH 2.54mm, DUAL ROW VERTICAL, DIP CONNECTOR		
		PRODUCT SPEC -	SIZE A3	CAGE CODE 00779	DRAWING NO C-1775921
MATERIAL		APPLICATION SPEC -	RESTRICTED TO		-
FINISH		WEIGHT -	SCALE -		SHEET 2 OF 2
CUSTOMER DRAWING			REV A		