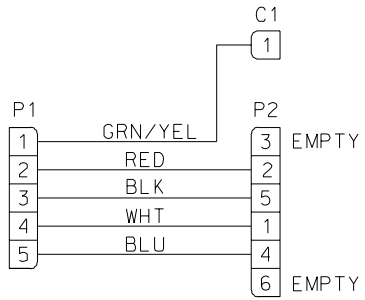
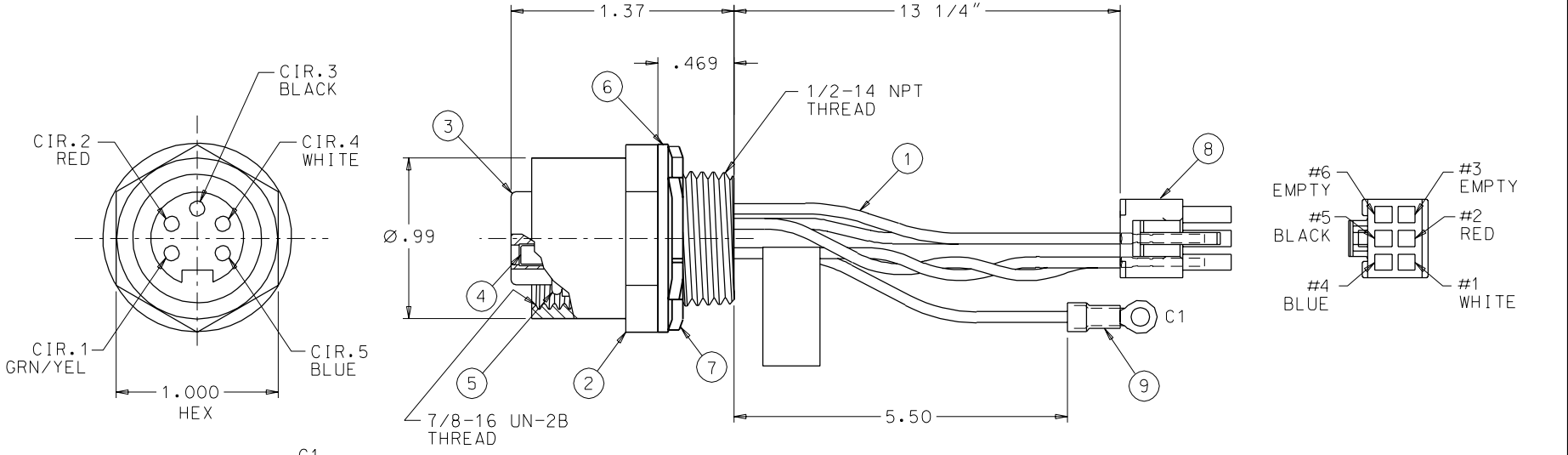


10	9
MOLEX PART NO.	MILLER ELECTRIC PART NO.
849150076	198 956

REV	DATE	ECN NO.	APPVD BY	REL BY
A	3-6-00	UM2000-0466 PROD. REL.	FVW	
B	2-9-01	UM2001-0241		



WIRING DIAGRAM

ITEM	QTY	DESCRIPTION	MATERIAL/FINISH
9	1	TERMINAL, RING TONGUE, #10 STUD	PVC INSULATED
8	1	CONNECTOR, DUAL ROW	NYLON
7	1	LOCKNUT	STEEL/ZINC PLATED
6	1	GASKET	NEOPRENE
5	1	O-RING/SEAL	BUNA-N/COLOR:BLACK
4	5	CONTACT, SOCKET	CU ALLOY/GOLD PLATED
3	1	INSERT, 5/C	PVC/COLOR:GRAY
2	1	RCPT. SHELL, INT. THDS.	ALUMINUM/BLACK ANODIZE
1	SEE ABOVE	WIRE, 22 AWG.	PVC INSULATED

UL AND C(UL) RECOGNIZED SPECIFICATIONS:  
 VOLTAGE RATING-250V  
 CURRENT RATING-4 AMPS

1. RECOMMENDED MOUNTING HOLE SIZE: .875"/.844" DIAMETER.

NOTES: UNLESS OTHERWISE SPECIFIED

<b>QUALITY SYMBOLS</b> MAJOR = CRITICAL = SPC =	UNLESS SPECIFIED: ALL DIMENSIONS IN INCHES  GENERAL TOLERANCES: 3 PLACE ±.005 2 PLACE ±.01 ANGULAR ±2°	SCALE --- DWG SIZE B DRAWN BY & DATE GF 3-6-00 CHECKED BY & DATE DW 3-6-00 APPROVED BY & DATE DW 3-6-00	THIRD ANGLE PROJECTION REVISE ON CAD ONLY  TITLE: MINI-C, RECEPTACLE, FEMALE, 5 POLE, 22 AWG., DEVICE NET	
	Mfr-Mate CAGE CODE 58967	<b>MOLEX INCORPORATED</b> Orange, CA 92868	PART NO. SEE CHART DRAWING NO. SD-84915-0076 SHEET NO. 1 OF 1	REV B
	THIS DRAWING CONTAINS INFORMATION THAT IS PROPRIETARY TO MOLEX INCORPORATED AND SHOULD NOT BE USED WITHOUT WRITTEN PERMISSION.			REV B