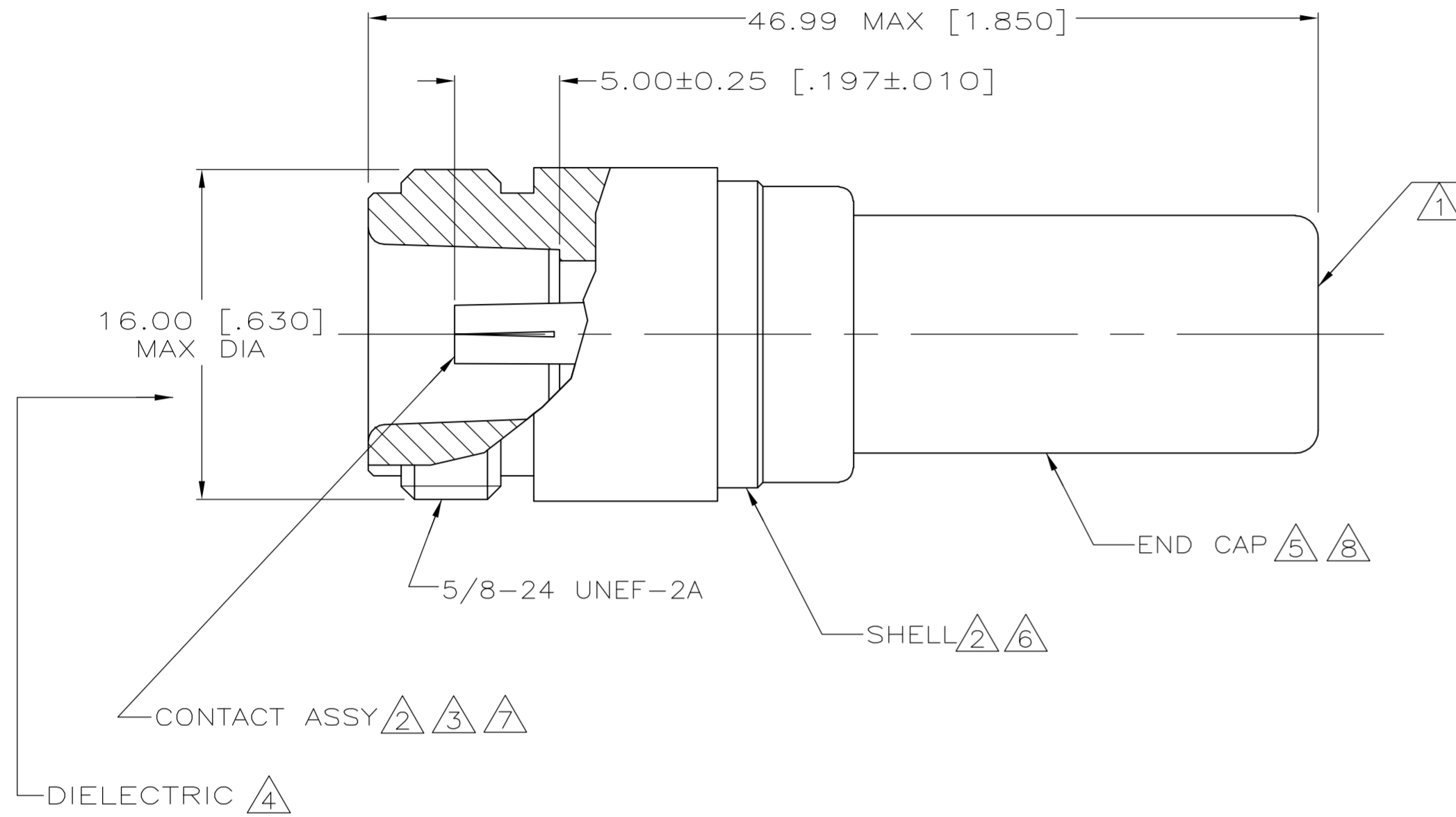


THIS DRAWING IS UNPUBLISHED. RELEASED FOR PUBLICATION
 © COPYRIGHT BY TYCO ELECTRONICS CORPORATION. ALL RIGHTS RESERVED.

LOC	DIST	REVISIONS			
P	LTR	DESCRIPTION	DATE	DWN	APVD
AJ	16	0	RELEASED.	12DEC2005	JGH GM



- ① STEEL STAMP "50 Ω, 1W" THIS SURFACE.
- ② BRASS PER ASTM B 16 OR B 36.
- ③ BERYLLIUM COPPER PER ASTM B 196.
- ④ PTFE PER ASTM D 1710.
- ⑤ COPPER PER ASTM B 152.
- ⑥ NICKEL PLATE PER QQ-N-290, 2.54 μm [.000100] MIN THICK.
- ⑦ GOLD PLATE PER ASTM B 488, 2.54 μm [.000100] MIN THICK.
- ⑧ TIN PLATE PER ASTM B 545, 2.54 μm [.000100] MIN THICK.

5227997-1
 PART NUMBER

THIS DRAWING IS A CONTROLLED DOCUMENT.		DWN J. HAVENER 12DEC2005	Tyco Electronics Corporation Harrisburg, PA 17105-3608	
DIMENSIONS: mm [INCHES]		CHK G. MICHAEL 12DEC2005		
TOLERANCES UNLESS OTHERWISE SPECIFIED:		APVD G. MICHAEL 12DEC2005	NAME TERMINATOR, JACK, SERIES N	
0 PLC ± - 1 PLC ± - 2 PLC ± - 3 PLC ± - 4 PLC ± - ANGLES ± -		PRODUCT SPEC -	SIZE A2	CAGE CODE 00779
MATERIAL NOTES 2 THRU 5		FINISH NOTES 6 THRU 8	DRAWING NO C=5227997	RESTRICTED TO -
CUSTOMER DRAWING			SCALE 4:1	SHEET 1 of 1
			REV 0	

5227997