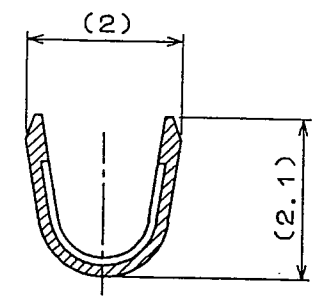
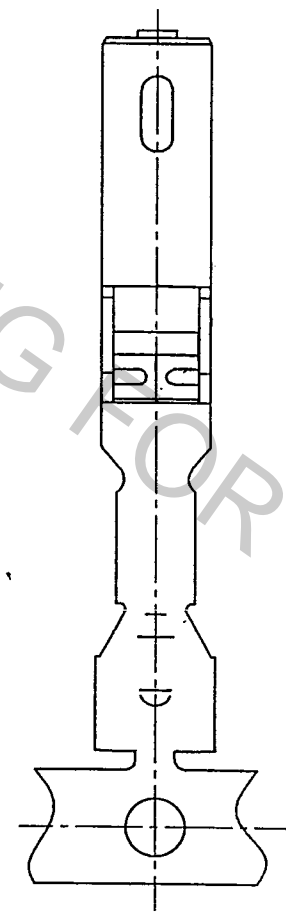
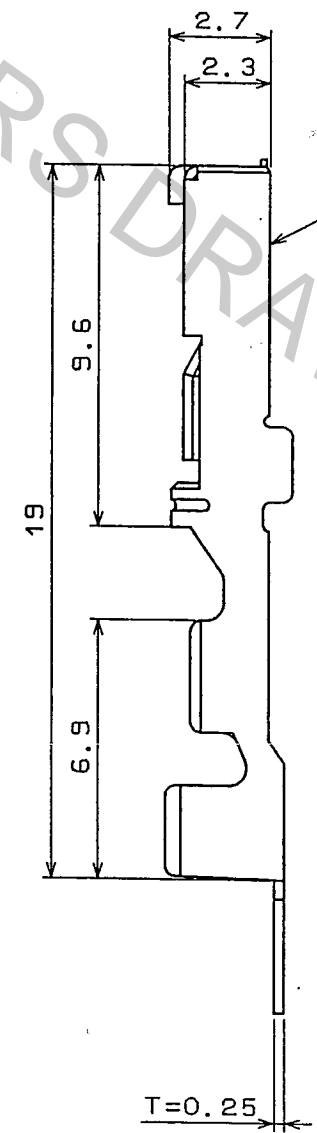
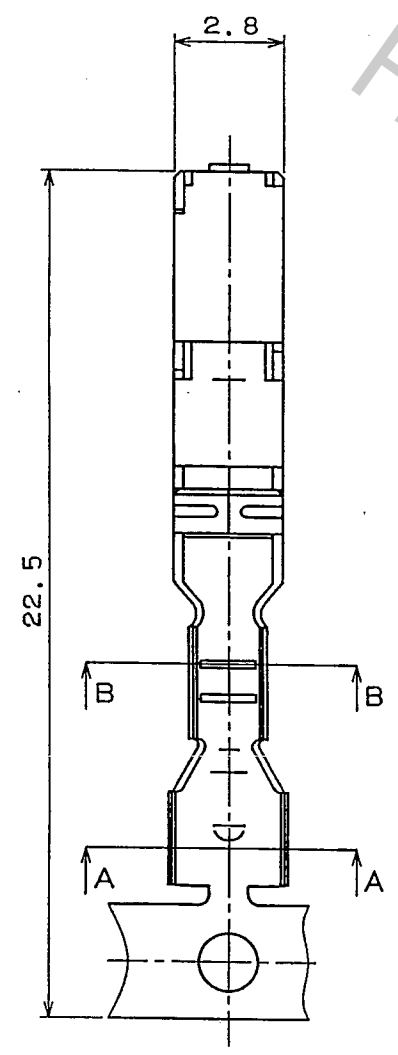
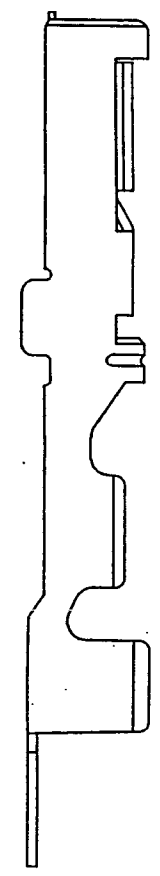
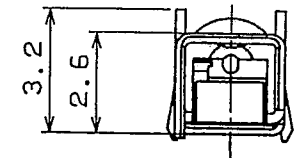


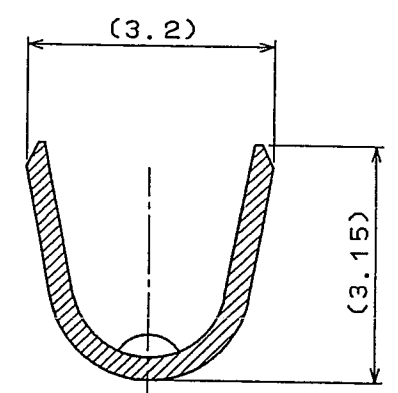
Apr.1.2017 Copyright 2017 HIROSE ELECTRIC CO., LTD. All Rights Reserved.

ELV, RoHS COMPLIANT

COUNT	DESCRIPTION OF REVISIONS	BY	CHKD	DATE	COUNT	DESCRIPTION OF REVISIONS	BY	CHKD	DATE
△				..	△				..
△				..	△				..
△				..	△				..



B-B (10/1)



A-A (10/1)

HRS DRAWING FOR REFERENCE

NOTE1. ONE REEL CONSISTS OF 5000 PIECES OF CONTACTS.
 NOTE2. APPLICABLE WIRE SIZE TO BE AV, AVS, AVSS0.3~0.5 OR EQUIVALENT.

1	KLF-5	TIN PLATED T=0.25
NO.	MATERIAL	FINISH, REMARKS

CODE NO. (OLD)	DRAWN	DESIGNED	CHECKED	APPROVED	RELEASED
	S.KURIYA	S.KURIYA	K. Sato	K. Sato	..
	07.5.10	01.2.16	07.5.10	07.5.10	..
SCALE	DRAWING NO.		PART NO.		
1 : 1	EDC3-084042-03		GT7-2022SCF (70)		
UNITS	HRS HIROSE ELECTRIC CO., LTD		CODE NO.		1/1
mm			CL757-0001-1-70		

TO

