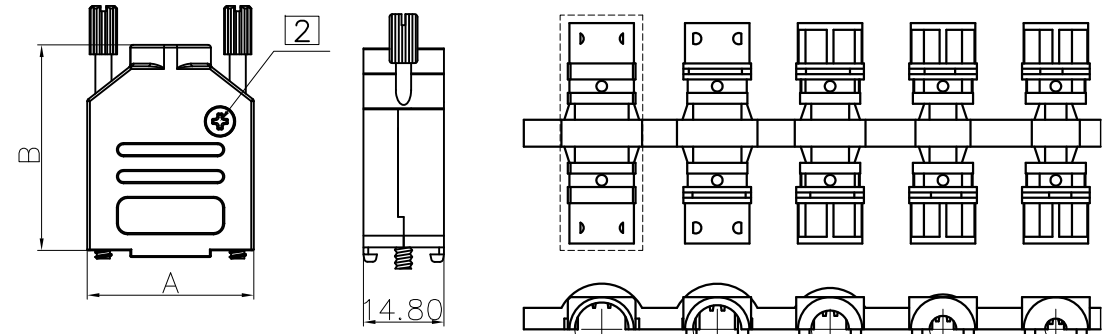
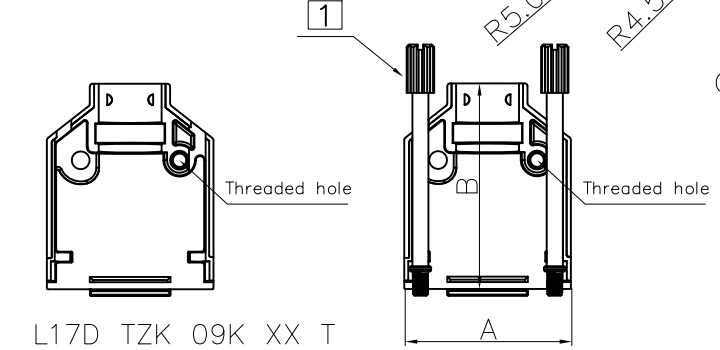


This document is the property of Amphenol Corporation and is delivered on the express condition that it is not to be disclosed, reproduced or used, in whole or in part, for manufacture or sale by anyone other than Amphenol Corporation without its prior consent, & that no right is granted to disclose or to use any information in this document.

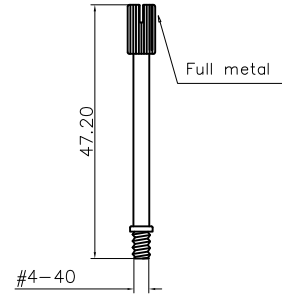
REVISIONS				
SYM	ECN	DESCRIPTION	DATE	APPROVED
2		From self-tapering to self-tapping	May/05/11	IP
3	HK#	Correct View shape	3/27/13	IP



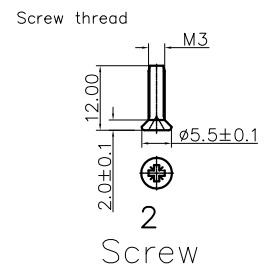
L17D TZK 09K XX T



L17D TZK 09K XX T



Thumb screw



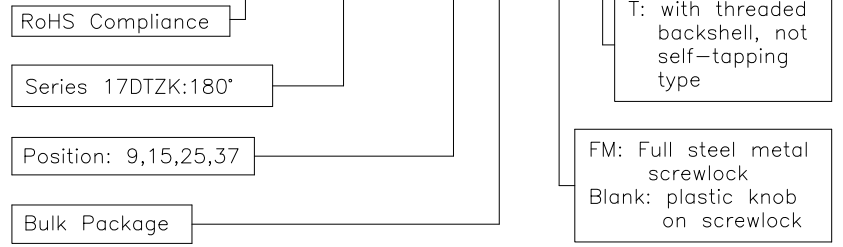
Screw

D-SUB TECHNICAL DATA

Material and finish:
 Shell: die-cast, nickel plated
 Thumb screws: with metal knob, nickel plated
 Screws: Steel, blue chromate plating, Philips head
 Cable strain relief: Plastic UL94 V-0
 Temperature range: -40°C to 120°C
 Cable diameter: 4.0-13.0mm
 Attenuation factor: >40 dB between 30 MHz and 1 GHz

PRODUCT CODE

L 17DTZK XX K XX T



Part Number	A	B	Part Number
L17D TZK 09K FM T	31 (1.220")	38.3 (1.508")	L17D TZK 09K T
L17D TZK 15K FM T	39.5 (1.555")	40.5 (1.594")	L17D TZK 15K T
L17D TZK 25K FM T	53.4 (2.102")	48.2 (1.897")	L17D TZK 25K T
L17D TZK 37K FM T	70 (2.755")	52.2 (2.055")	L17D TZK 37K T

Customer drawing

UNLESS OTHERWISE SPECIFIED TOLERANCES	APPROVAL		DATE
	DRAWN	XS.Guo	3/27/13
U.S. METRIC	CHECKED	Tony	3/27/13
.X +/- 0.50	CHECKED		
.XX +/- 0.30			
.XXX +/- 0.20			
FRACTIONS +/- 2'			
ANGLES +/-			
FOR MATERIALS AND FINISHES SEE NOTES	DRAWING FILE :		
REMOVE SHARP EDGES	ANGLE OF PROJECTION		
DIMENSIONS			
U.S. INCHES			
METRIC MM			

Amphenol		Amphenol East Asia Limited	
TITLE			
Metal Hood DTZK series			
SIZE	DRAWING NO.	REV.	
A4	C L17D TZK XXX XX T	3	
SCALE	NONE	SHEET 1 OF 4	

This document is the property of Amphenol Corporation and is delivered on the express condition that it is not to be disclosed, reproduced or used, in whole or in part, for manufacture or sale by anyone other than Amphenol Corporation without its prior consent, & that no right is granted to disclose or to use any information in this document.

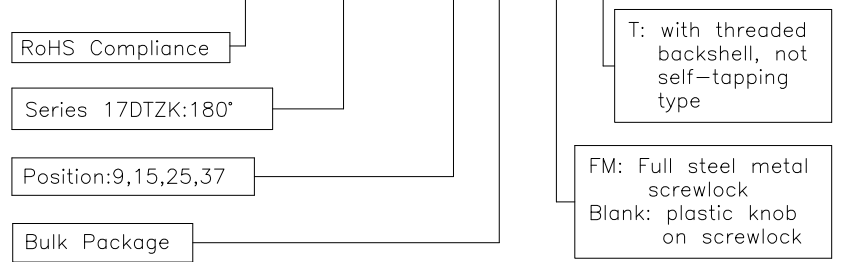
REVISIONS				
SYM	ECN	DESCRIPTION	DATE	APPROVED
2		From self-tapering to self-tapping	May/05/11	IP
3	HK#	Correct View shape	3/27/13	IP

D-SUB TECHNICAL DATA

Material and finish:
 Shell: die-cast, nickel plated
 Thumb screws: with metal knob, nickel plated
 Screws: Steel, blue chromate plating, Philips head
 Cable strain relief: Plastic UL94 V-0
 Temperature range: -40°C to 120°C
 Cable diameter: 4.0-13.0mm
 Attenuation factor: >40 dB between 30 MHz and 1 GHz

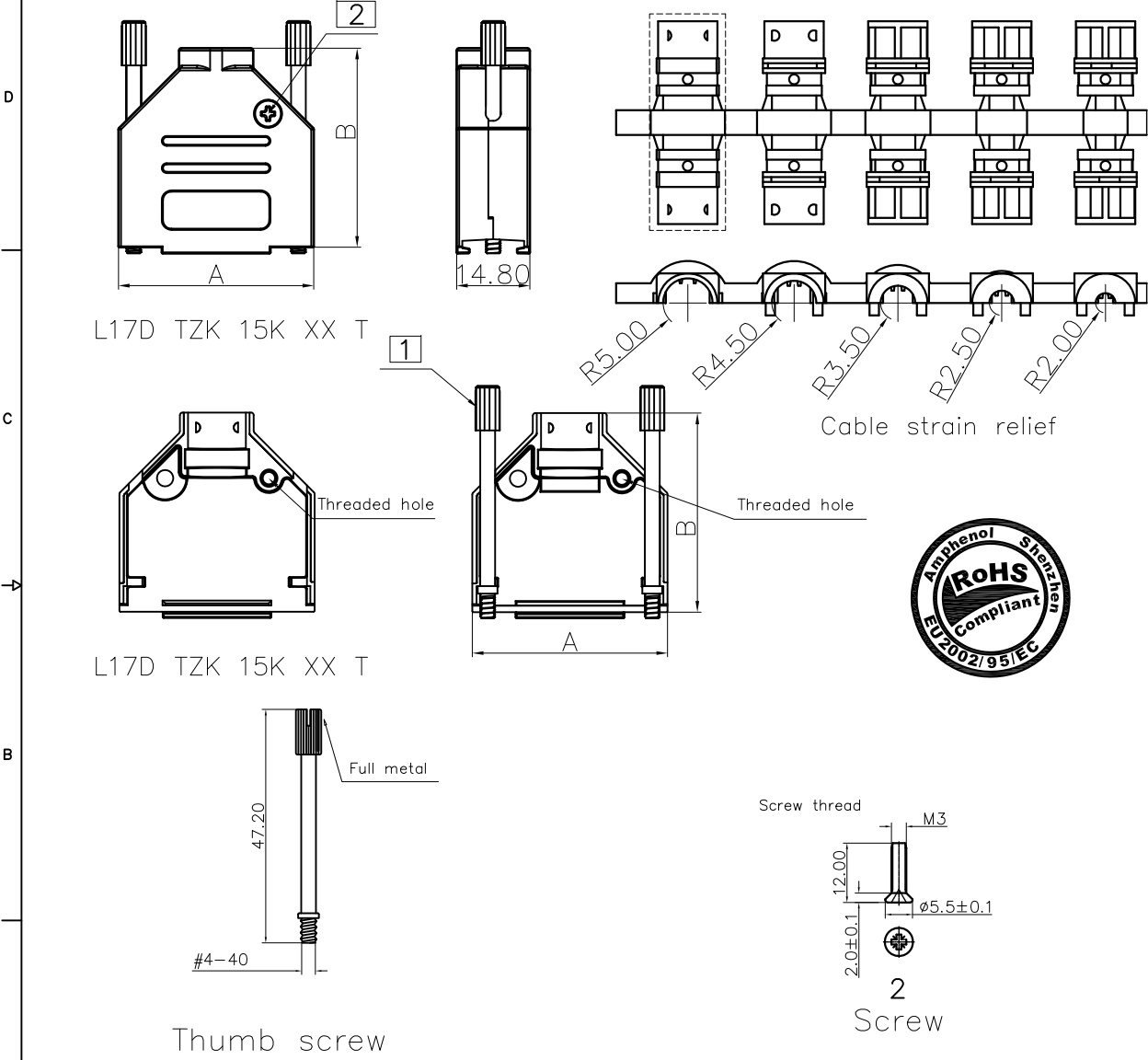
PRODUCT CODE

L 17DTZK XX K XX T



UNLESS OTHERWISE SPECIFIED	APPROVAL		DATE
TOLERANCES	DRAWN	XS.Guo	3/27/13
U.S.	CHECKED	Tony	3/27/13
METRIC	CHECKED		
.X +/-	/		
.XX +/-	0.50		
.XXX +/-	0.30		
FRACTIONS +/-	0.20		
ANGLES +/-	2°		
FOR MATERIALS AND FINISHES SEE NOTES			
REMOVE SHARP EDGES			
DIMENSIONS		ANGLE OF PROJECTION	
U.S.	INCHES		
METRIC	MM		

Amphenol	
Amphenol East Asia Limited	
TITLE	
Metal Hood DTZK series	
SIZE	DRAWING NO.
A4	C L17D TZK XXX XX T
SCALE	SHEET 2 OF 4
NONE	3



Part Number	A	B	Part Number
L17D TZK 09K FM T	31 (1.220")	38.3 (1.508")	L17D TZK 09K T
L17D TZK 15K FM T	39.5 (1.555")	40.5 (1.594")	L17D TZK 15K T
L17D TZK 25K FM T	53.4 (2.102")	48.2 (1.897")	L17D TZK 25K T
L17D TZK 37K FM T	70 (2.755")	52.2 (2.055")	L17D TZK 37K T

Customer drawing

This document is the property of Amphenol Corporation and is delivered on the express condition that it is not to be disclosed, reproduced or used, in whole or in part, for manufacture or sale by anyone other than Amphenol Corporation without its prior consent, & that no right is granted to disclose or to use any information in this document.

REVISIONS

SYM	ECN	DESCRIPTION	DATE	APPROVED
2		From self-tapering to self-tapping	May/05/11	IP
3	HK#	Correct View shape	3/27/13	IP

D-SUB TECHNICAL DATA

Material and finish:
 Shell: die-cast, nickel plated
 Thumb screws: with metal knob, nickel plated
 Screws: Steel, blue chromate plating, Philips head
 Cable strain relief: Plastic UL94 V-0
 Temperature range: -40°C to 120°C
 Cable diameter: 4.0-13.0mm
 Attenuation factor: >40 dB between 30 MHz and 1 GHz

PRODUCT CODE

L 17DTZK XX K XX T

RoHS Compliance

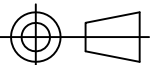
Series 17DTZK:180°

Position: 9,15,25,37

Bulk Package

T: with threaded backshell, not self-tapping type

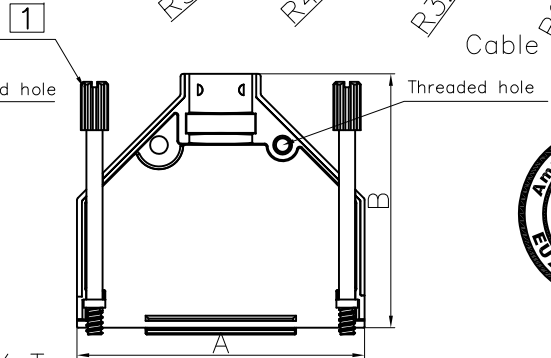
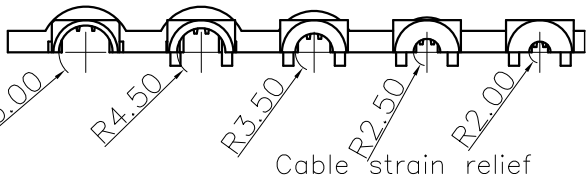
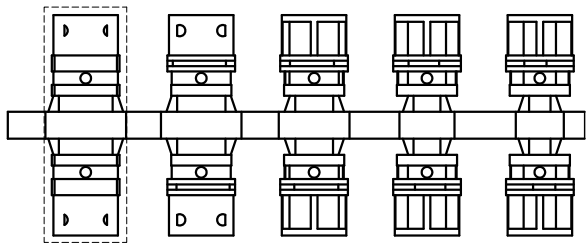
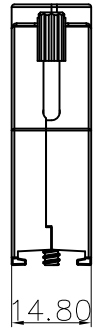
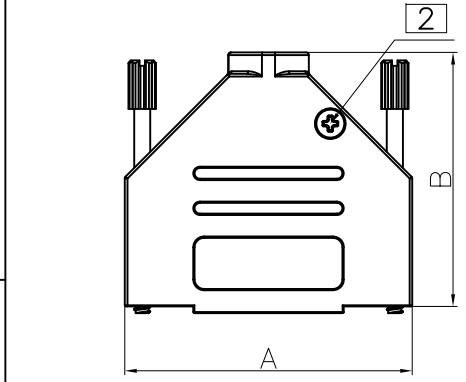
FM: Full steel metal screwlock
 Blank: plastic knob on screwlock

UNLESS OTHERWISE SPECIFIED	APPROVAL		DATE
TOLERANCES	DRAWN	XS.Guo	3/27/13
U.S.	CHECKED	Tony	3/27/13
METRIC	CHECKED		
.X +/-			
.XX +/-			
.XXX +/-			
FRACTIONS +/-			
ANGLES +/-			
FOR MATERIALS AND FINISHES SEE NOTES	DRAWING FILE :		
REMOVE SHARP EDGES	ANGLE OF PROJECTION		
DIMENSIONS			
U.S.	INCHES		
METRIC	MM		

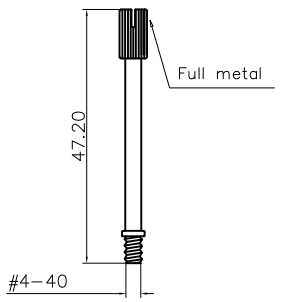
Amphenol
 Amphenol East Asia Limited

TITLE
 Metal Hood DTZK series

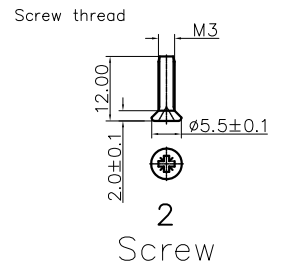
SIZE	DRAWING NO.	REV.
A4	C L17D TZK XXX XX T	3
SCALE	NONE	SHEET 3 OF 4



L17D TZK 25K XX T



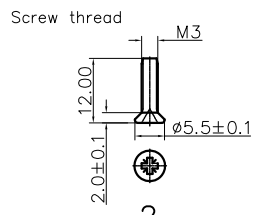
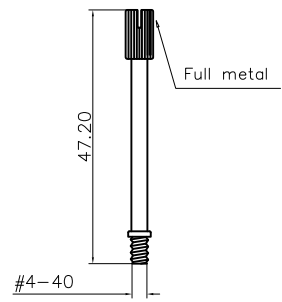
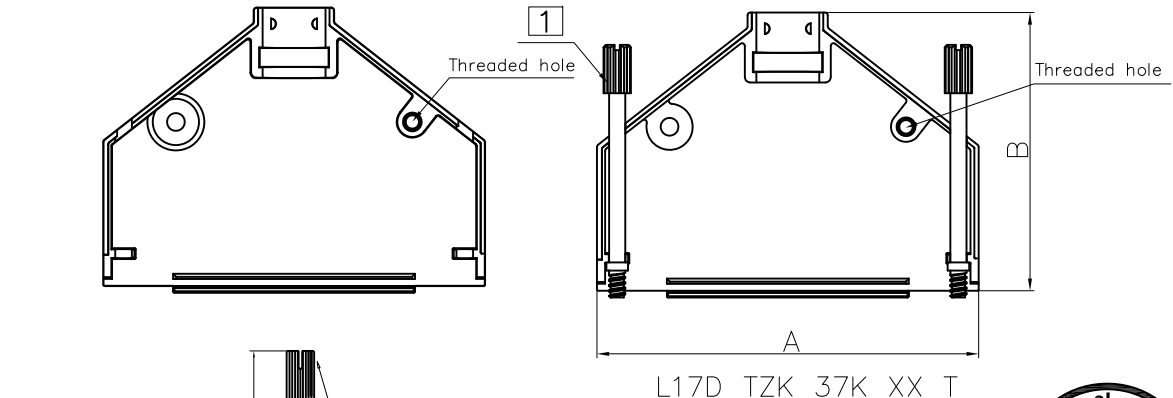
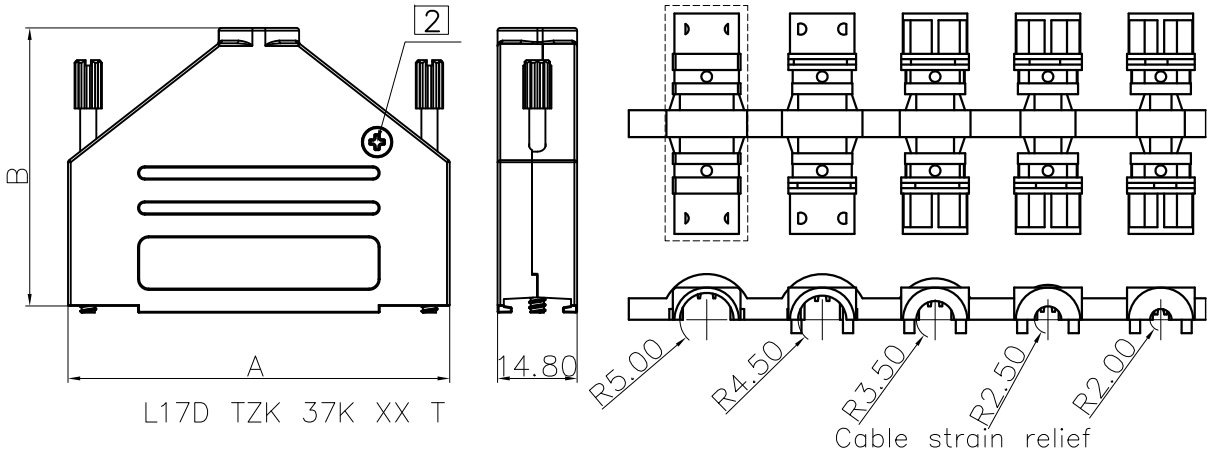
Thumb screw



Part Number	A	B	Part Number
L17D TZK 09K FM T	31 (1.220")	38.3 (1.508")	L17D TZK 09K T
L17D TZK 15K FM T	39.5 (1.555")	40.5 (1.594")	L17D TZK 15K T
L17D TZK 25K FM T	53.4 (2.102")	48.2 (1.897")	L17D TZK 25K T
L17D TZK 37K FM T	70 (2.755")	52.2 (2.055")	L17D TZK 37K T

Customer drawing

This document is the property of Amphenol Corporation and is delivered on the express condition that it is not to be disclosed, reproduced or used, in whole or in part, for manufacture or sale by anyone other than Amphenol Corporation without its prior consent, & that no right is granted to disclose or to use any information in this document.



Part Number	A	B	Part Number
L17D TZK 09K FM T	31 (1.220")	38.3 (1.508")	L17D TZK 09K T
L17D TZK 15K FM T	39.5 (1.555")	40.5 (1.594")	L17D TZK 15K T
L17D TZK 25K FM T	53.4 (2.102")	48.2 (1.897")	L17D TZK 25K T
L17D TZK 37K FM T	70 (2.755")	52.2 (2.055")	L17D TZK 37K T

Customer drawing

REVISIONS				
SYM	ECN	DESCRIPTION	DATE	APPROVED
2		From self-tapering to self-tapping	May/05/11	IP
3	HK#	Correct View shape	3/27/13	IP

D-SUB TECHNICAL DATA

Material and finish:
 Shell: die-cast, nickel plated
 Thumb screws: with metal knob, nickel plated
 Screws: Steel, blue chromate plating, Philips head
 Cable strain relief: Plastic UL94 V-0
 Temperature range: -40°C to 120°C
 Cable diameter: 4.0-13.0mm
 Attenuation factor: >40 dB between 30 MHz and 1 GHz

PRODUCT CODE

L 17DTZK XX K XX T

RoHS Compliance

Series 17DTZK:180°

Position:9,15,25,37

Bulk Package

T: with threaded backshell, not self-tapping type

FM: Full steel metal screwlock
 Blank: plastic knob on screwlock

UNLESS OTHERWISE SPECIFIED TOLERANCES		APPROVAL		DATE
U.S.	METRIC	DRAWN	XS.Guo	3/27/13
.X +/-	0.50	CHECKED	Tony	3/27/13
.XX +/-	0.30	CHECKED		
.XXX +/-	0.20			
FRACTIONS +/-	2'			
ANGLES +/-				
FOR MATERIALS AND FINISHES SEE NOTES		DRAWING FILE :		
REMOVE SHARP EDGES		ANGLE OF PROJECTION		
DIMENSIONS				
U.S.	INCHES			
METRIC	MM			

Amphenol		Amphenol East Asia Limited	
TITLE			
Metal Hood DTZK series			
SIZE	DRAWING NO.	REV.	
A4	C L17D TZK XXX XX T	3	
SCALE	NONE	SHEET 4 OF 4	