

TECHNICAL CHARACTERISTICS

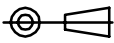

MATERIAL
 CONTACT MATERIAL: COPPER ALLOY
 CONTACT TYPE: STAMPED
 CONTACT PLATING: TIN
 QUALITY CLASS: 25 MATING CYCLES
 PITCH: FOR 1.50MM

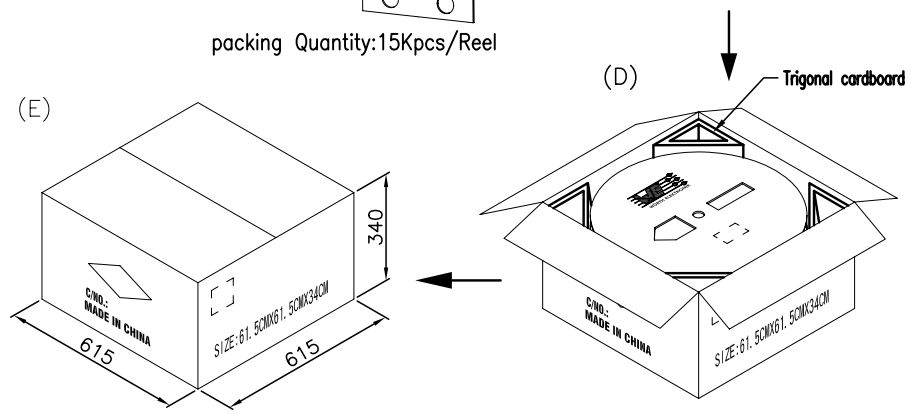
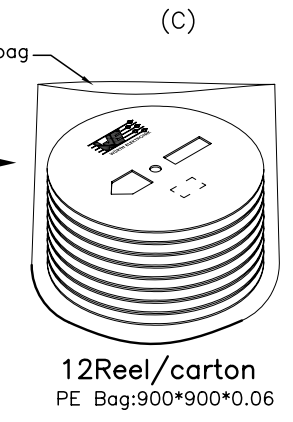
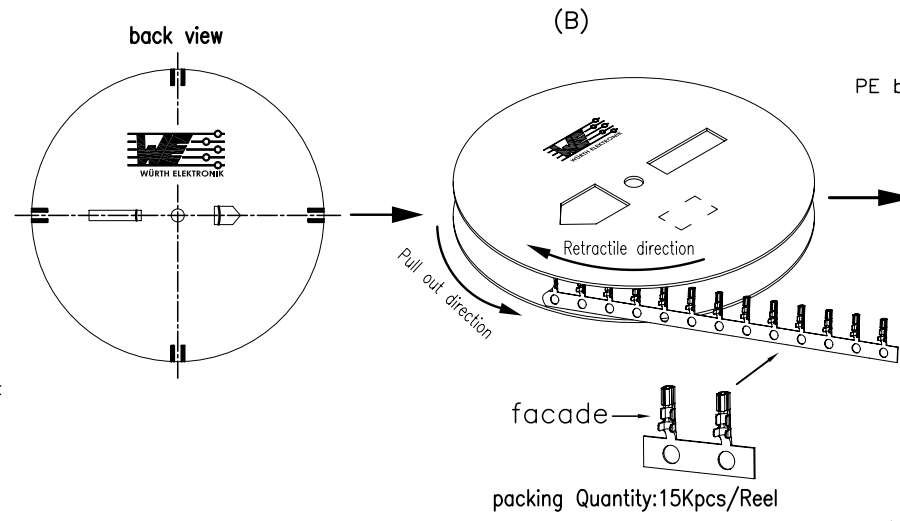
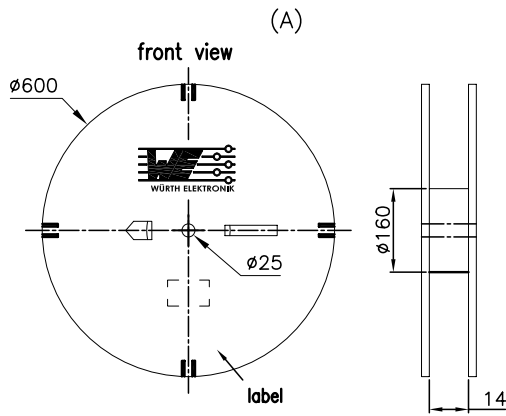
ENVIRONMENTAL
 OPERATING TEMPERATURE: -25 UP TO 85°C
 COMPLIANCE: LEAD FREE AND ROHS

ELECTRICAL
 CURRENT RATING: 1A
 WORKING VOLTAGE: 50V AC
 CONTACT RESISTANCE: 20 mOHM MAX

WIRE DIMENSION
 AWG: AWG 28 - 30

PACKAGING
 15KPCS REEL

RoHS Compliant				PROJECTION: 	GENERAL TOLERANCE .X = +/- 0.2 .XX = +/- 0.15		DESCRIPTION: 1.50 MM FEMALE CRIMP TERMINAL WERI PART NO: 64800113722	SIZE A4
G	07-AUG-13	CHARACTERISTIC	QL					
F	15-OCT-12	PCN	GG					
E	11-MAY-10	PACKAGING	JP					
D	18-FEB-09	DRAW	JP					
C	09-AUG-08	T&R DESCRIPTION	RB					
B	01-FEB-07	DRAW	EC	APPROVAL: RJ	UNIT: MM			
A	26-FEB-06	PDF	JP		SCALE:			
REV	DATE	FILE	BY		SHEET: 1/2			
					DRAW: MIKE			



- Note :
1. All dimensions meet EIA-481-3 requirements.
 2. Material : WH Conductive polystyrene Alloy.
 3. Thickness : 0.50 ± 0.05 mm.
 4. Component load per reel : 15.000 pcs.
 5. Reel size : diameters 160*25, T=14.
 6. Reel chipboard size : diameters 600*25, T=14.
 7. Bag size : 900*900*0.06.
 8. Carton size : 615*615*340.

Q'tY/Reel	Reel/Carton	Q'tY/Carton
15Kpcs	12	180Kpcs

RoHS Compliant				PROJECTION: 	GENERAL TOLERANCE .X = ± 0.2 .XX = ± 0.15		
G							
F							
E							
D				APPROVAL:	UNIT: MM	DESCRIPTION: FEMALE TERMINAL CRIMP CONTACT	
C					SCALE:		
B					SHEET: 2/2		WERI PART NO: 648 001 137 22
A					DRAW: MIKE		
REV	DATE	FILE	BY			SIZE A4	