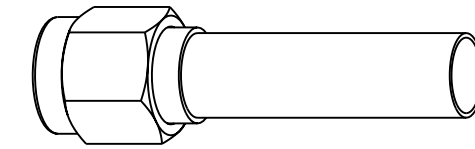


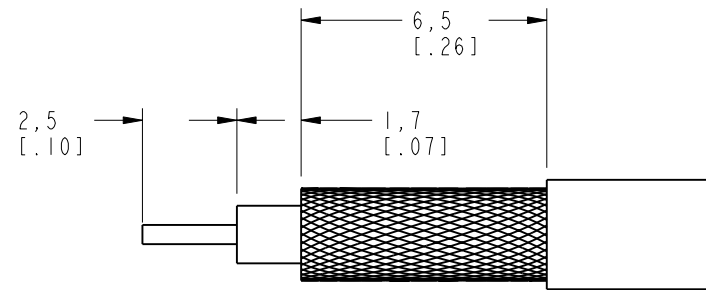
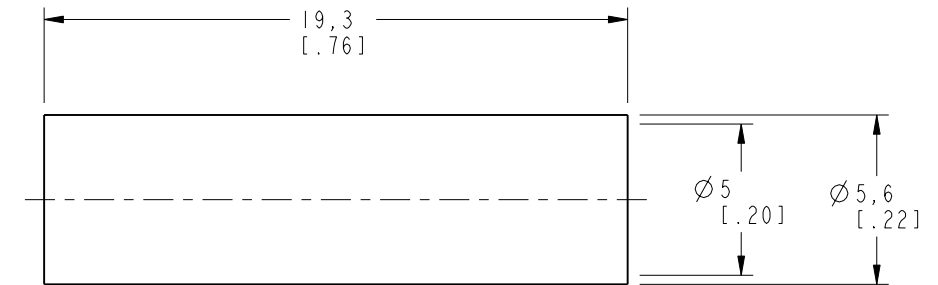
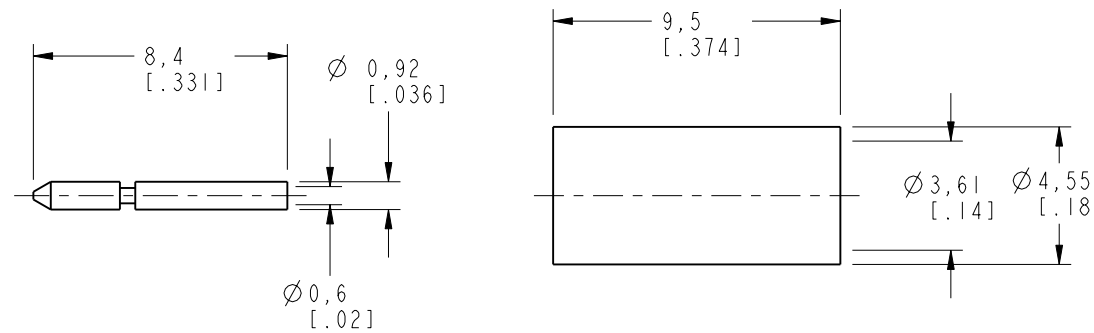
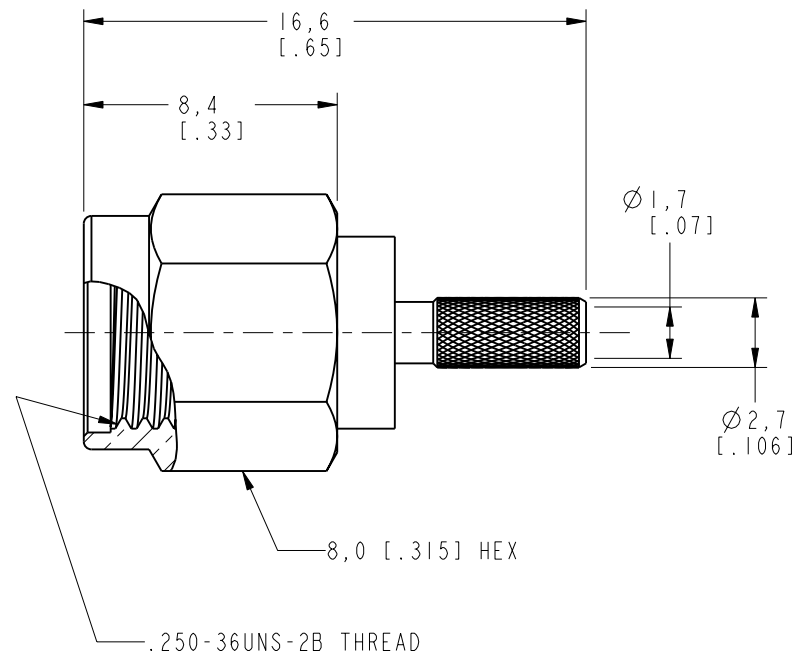
NOTES:

- MATERIALS OF CONSTRUCTION:  
 BODY & SHELL = BRASS, GOLD PLATED (.000003 THICK)  
 CONTACT PIN = BRASS, GOLD PLATED (.000050 THICK)  
 RETAINING RING = BeCu  
 FERRULE = COPPER, GOLD PLATED (.000003 THICK)  
 INSULATOR = PTFE  
 GASKET = SILICONE RUBBER, COLOR RED  
 HEAT SHRINK TUBING =
- CRIMPED FERRULE: HEX CRIMP SIZE .151  
 CONTACT PINT TO SOLDER.

| 901-10025-RFX     |     | REVISIONS  |         |       |      |
|-------------------|-----|--|---------|-------|------|
| DRAWING NO.       | REV | DESCRIPTION  | DATE    | ECO   | APPR |
| THIRD ANGLE PROJ. | A   | RELEASE TO MFG.  | 1/21/00 | 43237 | CPM  |
|                   | B   | BODY Ø 2,7 WAS 2,3; FERR ID WAS 3,4 & OD WAS 4,4; KJ# WAS SMA1111A2-3GT50G-3I6U/D-50 | 9/14/01 | 43834 | CPM  |



SCALE 2.000



RECOMMENDED  
CABLE STRIPPING DIM'S.  
SCALE 5.000

CUSTOMER OUTLINE DRAWING  
ALL OTHER SHEETS ARE FOR INTERNAL USE ONLY

|   |                               |                                  |                   |   |                              |   |
|---|-------------------------------|----------------------------------|-------------------|---|------------------------------|---|
| UNLESS OTHERWISE SPECIFIED, DIMENSIONS ARE IN INCHES AND TOLERANCES ARE:<br>0.5 - 6mm ±0.2mm<br>6 - 30mm ±0.4mm<br>30 - 120mm ±0.6mm  | MATERIAL                      | DRAWN<br>C. McGRATH              | DATE<br>18-Jan-00 | TITLE<br><b>SMA CRIMP PLUG<br/>FOR RD 316 CABLE</b> |                              | <b>Amphenol</b><br>Amphenol Corporation<br>Communication and Network<br>Products Division<br>Danbury, CT U.S.A. 06810 |
|   | REFERENCE<br>GEN# ASSYMI5_SMA | ENGINEER<br>T. AUBIN             | DATE<br>18-Jan-00 |   |                              |   |
| NOTICE - These drawings, specifications, or other data (1) are, and remain the property of Amphenol Corp. (2) must be returned upon request; and (3) are confidential and not to be disclosed to any person other than those to whom they are given by Amphenol Corp. The furnishing of these drawings, specifications, or other data by Amphenol Corp., or to any other person to anyone for any purpose is not to be regarded by implication or otherwise in any manner licensing, granting rights or permitting such holder or any other person to manufacture, use or sell any product, process or design, patented or otherwise, that may in any way be related to or disclosed by said drawings, specifications, or other data. |                               | CAD FILE<br>I:\SMA\901-10025-RFX | CODE ID<br>74868  | DWG SIZE<br>B                                       | DRAWING NO.<br>901-10025-RFX | SCALE: 4.0:1  |
|   |                               |                                  |                   |   |                              | SHEET 2 OF 2  |