

4

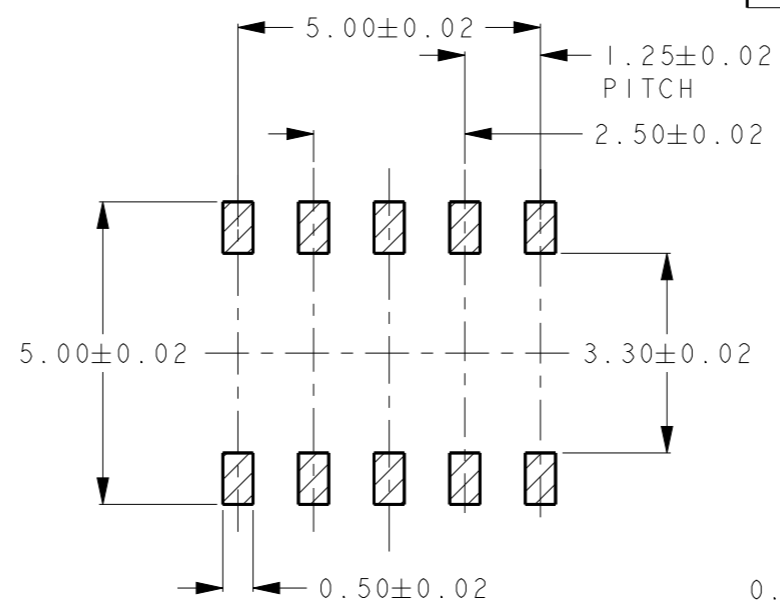
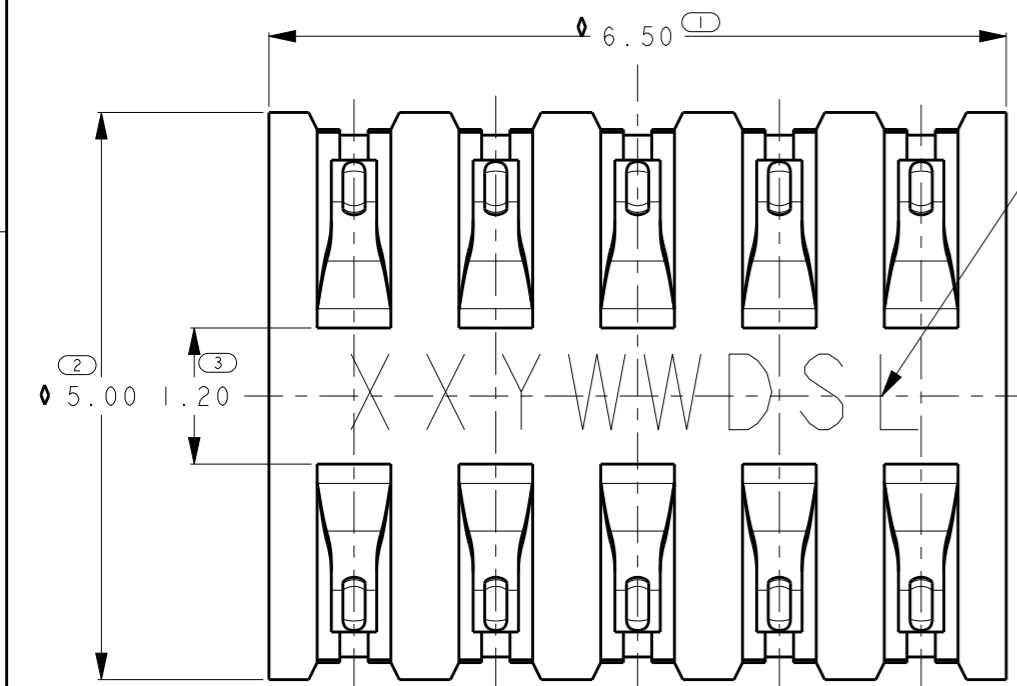
3

2

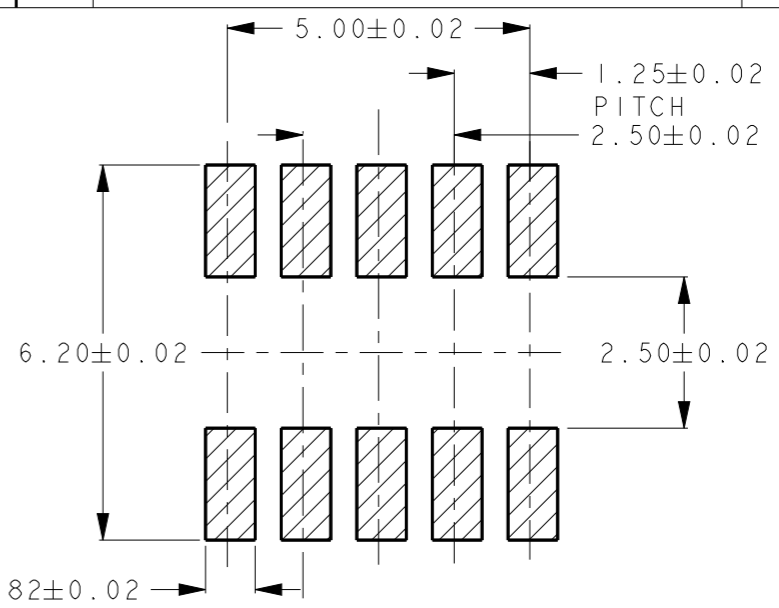
1

THIS DRAWING IS UNPUBLISHED. RELEASED FOR PUBLICATION 20  
 © COPYRIGHT 20 ALL RIGHTS RESERVED.

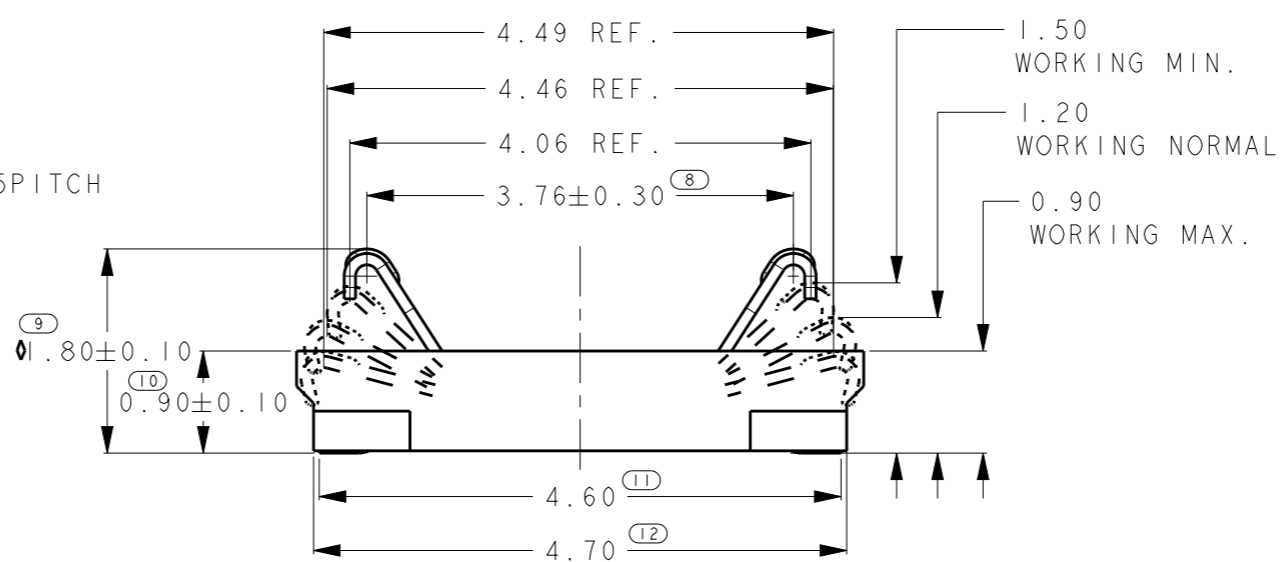
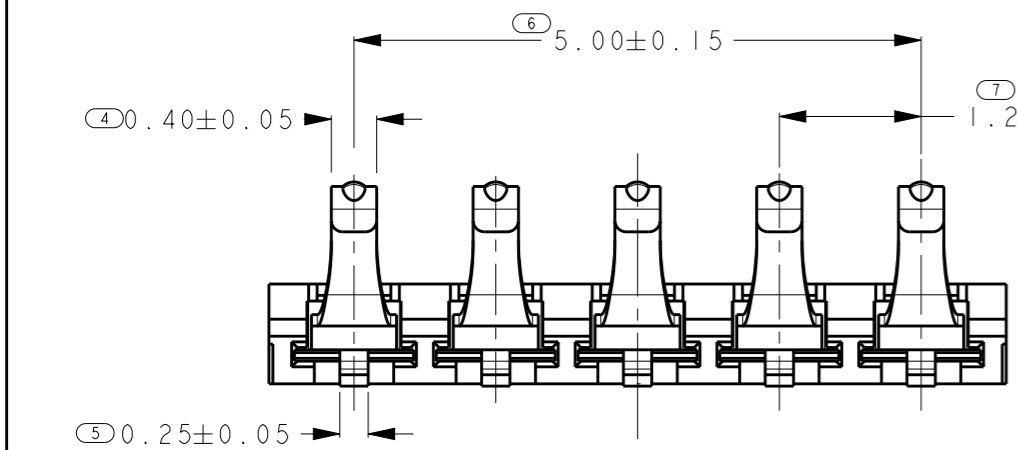
LOC	DIST	REVISIONS				
P	LTR	DESCRIPTION	DATE	DWN	APVD	
ES		A	INITIAL	21MAR2013	R.W S.Y	



SCALE 8:1  
RECOMMEND SOLDERING PWB LAYOUT



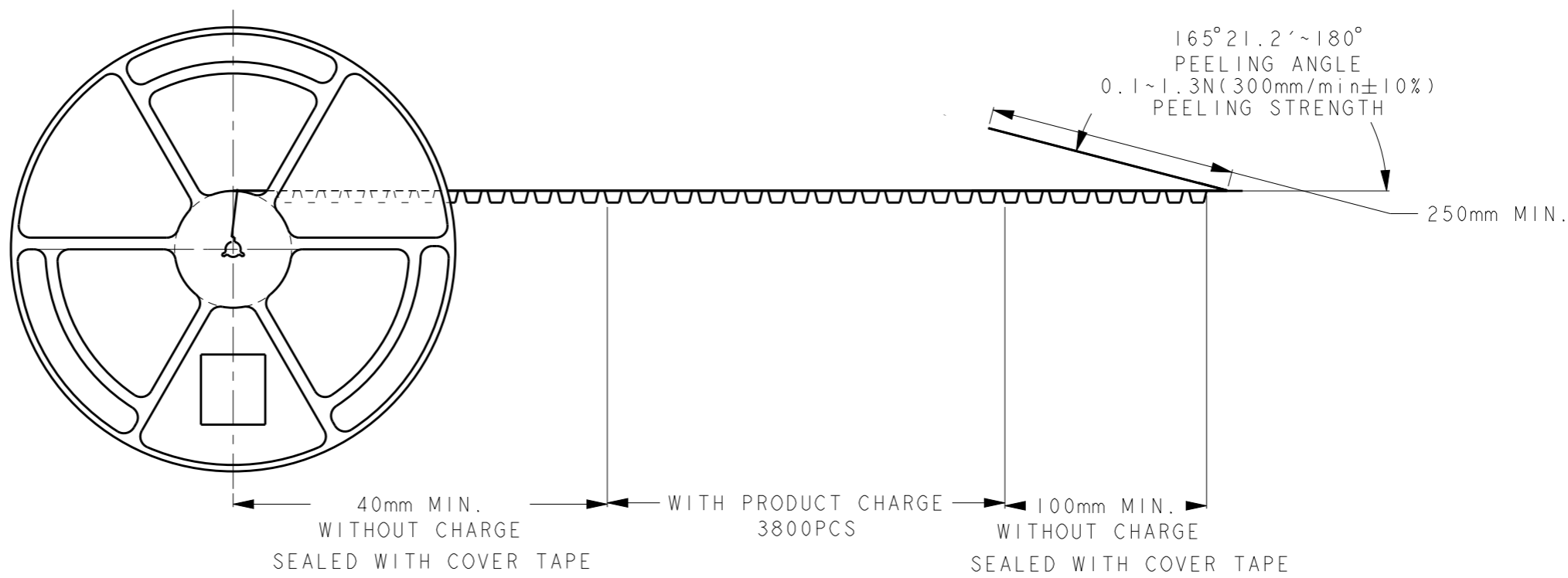
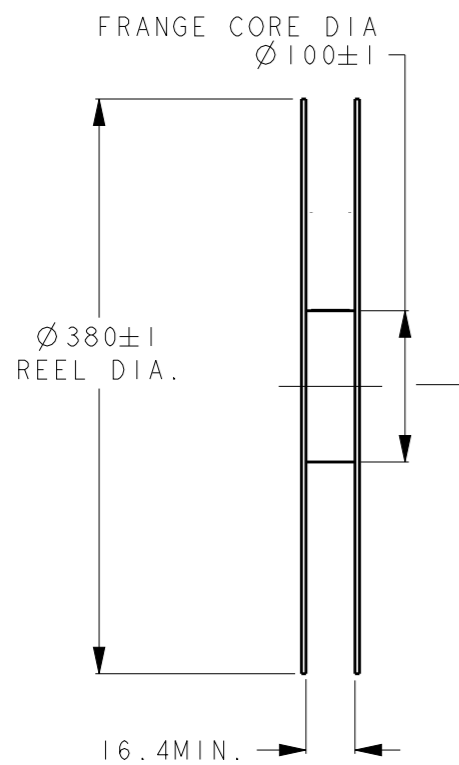
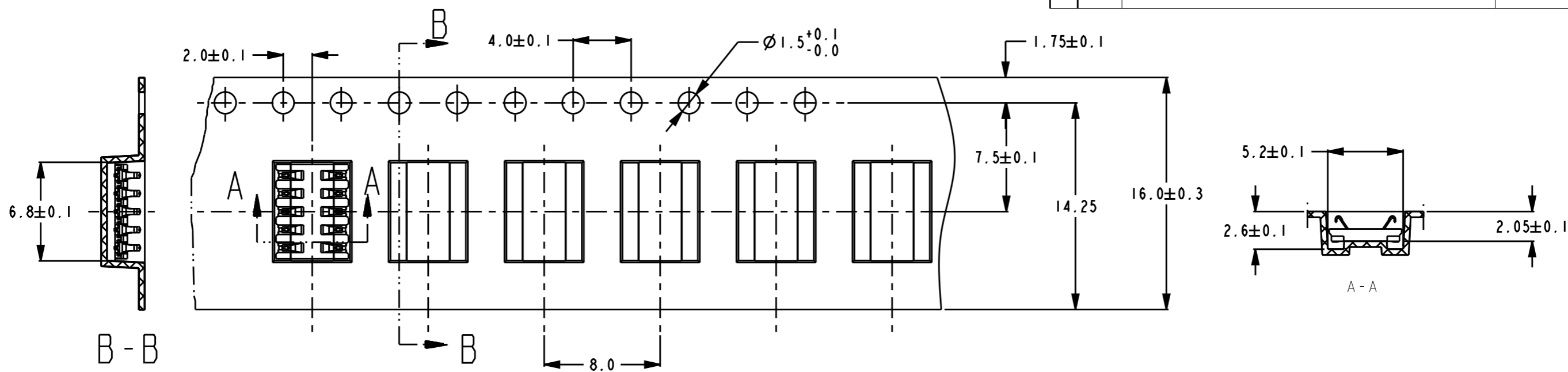
SCALE 8:1  
RECOMMEND MATING LAYOUT



NOTES:  
 1. TE PART NUMBER: 2199055-2  
 MATERIAL  
 TERMINAL: COPPER ALLOY, THICKNESS 0.10mm.  
 HOUSING: HIGH TEMPERATURE THERMO PLASTIC  
 UL94V-0 BLACK  
 3. FINISH  
 TERMINAL: 0.10-0.2 um GOLD PLATING ON CONTACT AREA,  
 1.25 um MIN. NICKLE UNDER PLATING,  
 GOLD FLASH PLATING ON SOLDERING AREA.  
 4. COPLANARITY: 0.08 MAX. AMANG ALL SOLDER TAILS.  
 5. PACKAGING: TAPE & REEL.  
 6. DATE CODE: "XXYWDSL"  
 XX = VERSION NO. FOR EXAMPLE: P1, V1, A1  
 P = PROTO TOOL; V = PRODUCTION TOOL; A = MASS APPROVED.  
 YWWD = PRODUCTION DATE (YEAR, WEEK, DAY).  
 S = SHIFT (D=DYA, N=NIGHT); L = LINE NUMBER.

THIS DRAWING IS A CONTROLLED DOCUMENT.		DWN	21MAR2013	<b>STE</b> TE Connectivity
		CHK	RAY WANG	
		APVD	HE WENKE	
		APVD	21MAR2013	NAME
		PRODUCT SPEC	STEVEN YAO	ONE PIECE BtoB CONNECTOR
		APPLICATION SPEC	108-115045	10 PINS, HI.20, TWO ROWS
		WEIGHT	0.0723	SIZE
		CUSTOMER DRAWING	A300779	CAGE CODE
			G-2199055	DRAWING NO
			SCALE 20:1	RESTRICTED TO
			SHEET 1 OF 2	REV A

P	LTR	DESCRIPTION	DATE	DWN	APVD



- NOTES:  
 1. TAPE MATERIAL: P.S 0.4mm THICKNESS, COLOR: NATURAL.  
 2. QUANTITY PER REEL: 3800PCS.

THIS DRAWING IS A CONTROLLED DOCUMENT.		DWN RAY WANG 21MAR2013	<b>TE Connectivity</b>	
DIMENSIONS: mm		CHK WENKE HE 21MAR2013		
		APVD STEVEN YAO 21MAR2013		
TOLERANCES UNLESS OTHERWISE SPECIFIED: ±0.20		PRODUCT SPEC -	NAME ONE PIECE BtoB CONNECTOR 10 PINS, HI.20, 2 ROWS	
0-PLC ±- 1-PLC ±0.50 2-PLC ±0.20 3-PLC ±- 4-PLC ±- ANGLES ±-		APPLICATION SPEC -	RESTRICTED TO -	
MATERIAL -		WEIGHT -	SIZE A300779	CAGE CODE C=2199055
FINISH -		Customer Drawing	SCALE 3:1	SHEET 2 OF 2 REV A