
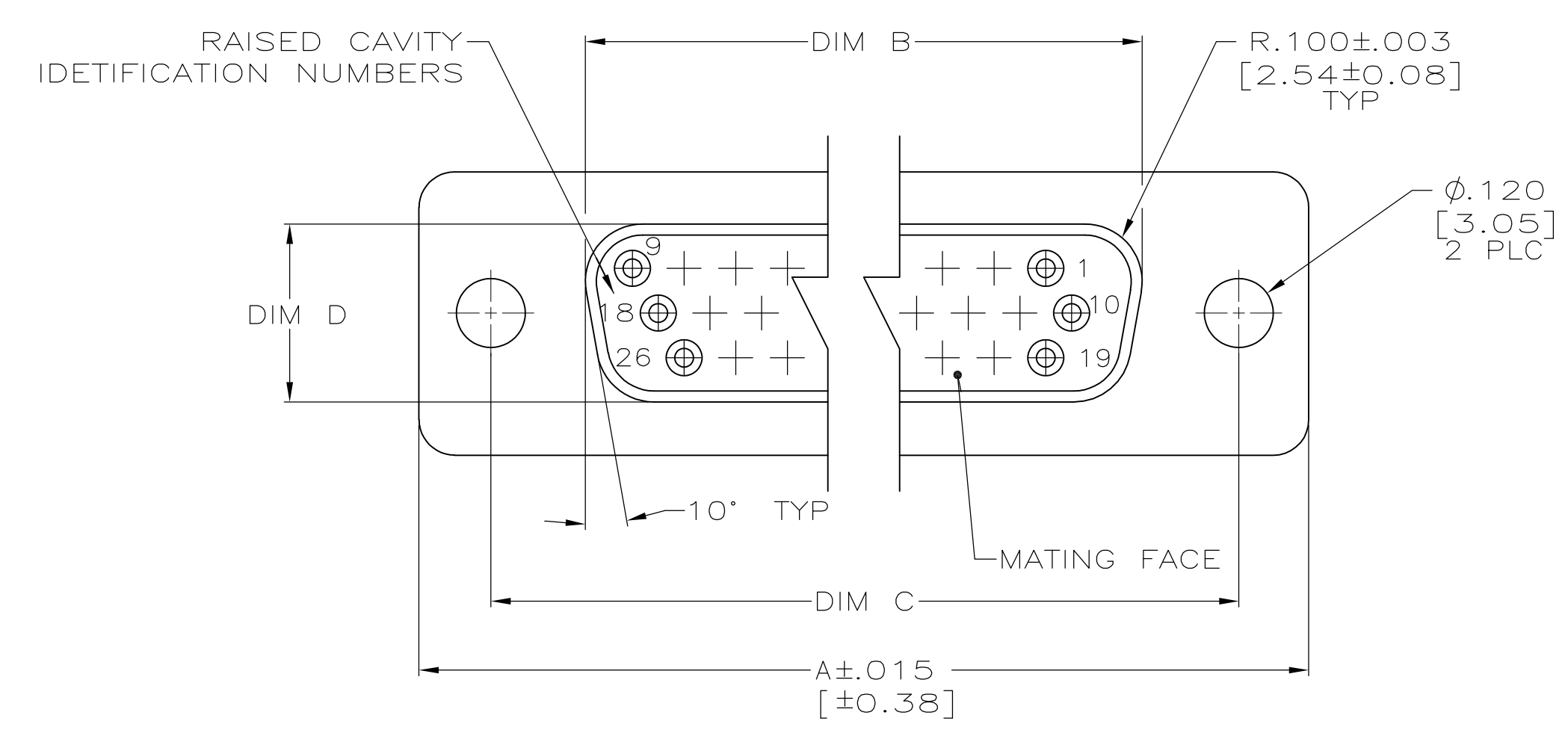


- 1 MARKED WITH .047 [1.19] HIGH CHARACTERS. FAR SIDE REFERS TO WIDE SIDE OF KEYSTONE, NEAR SIDE REFERS TO NARROW SIDE OF KEYSTONE.
- 2 RUBBER GROMMET APPLIES ONLY FOR 1218233-7 THRU 1-1218233-2 AND 2-1218233-7 THRU 3-1218233-2.
- 3. BERYLLIUM COPPER RETENTION CLIPS ARE INCLUDED IN INSERTS.
- 4. CONTACTS NOT SUPPLIED, MUST BE ORDERED SEPARTELY. WILL ACCOMMODATE A SIZE 22 SOCKET CONTACT PER MIL-C-39029/57-354 OR NASA G-08-S1. CONTACT TE ENGINEERING FOR ANY OTHER CONTACT STYLES.
- 5. THIS RECEPTACLE WILL MATE WITH ANY PLUG CONNECTOR WITH THE SAME INSERT ARRANGEMENT.
- 6. MAXIMUM WIRE INSULATION USED WITH THIS CONNECTOR IS .054 [1.37] DIAMETER WITH GROMMET, .068 [1.73] WITHOUT GROMMET
- 7. UNLESS OTHERWISE STATED THIS ASSEMBLY CONFORMS TO MIL-PRF-24308.
- 8 SPECIAL TESTING PER RAYTHEON R10006242 SPECIFICATION.

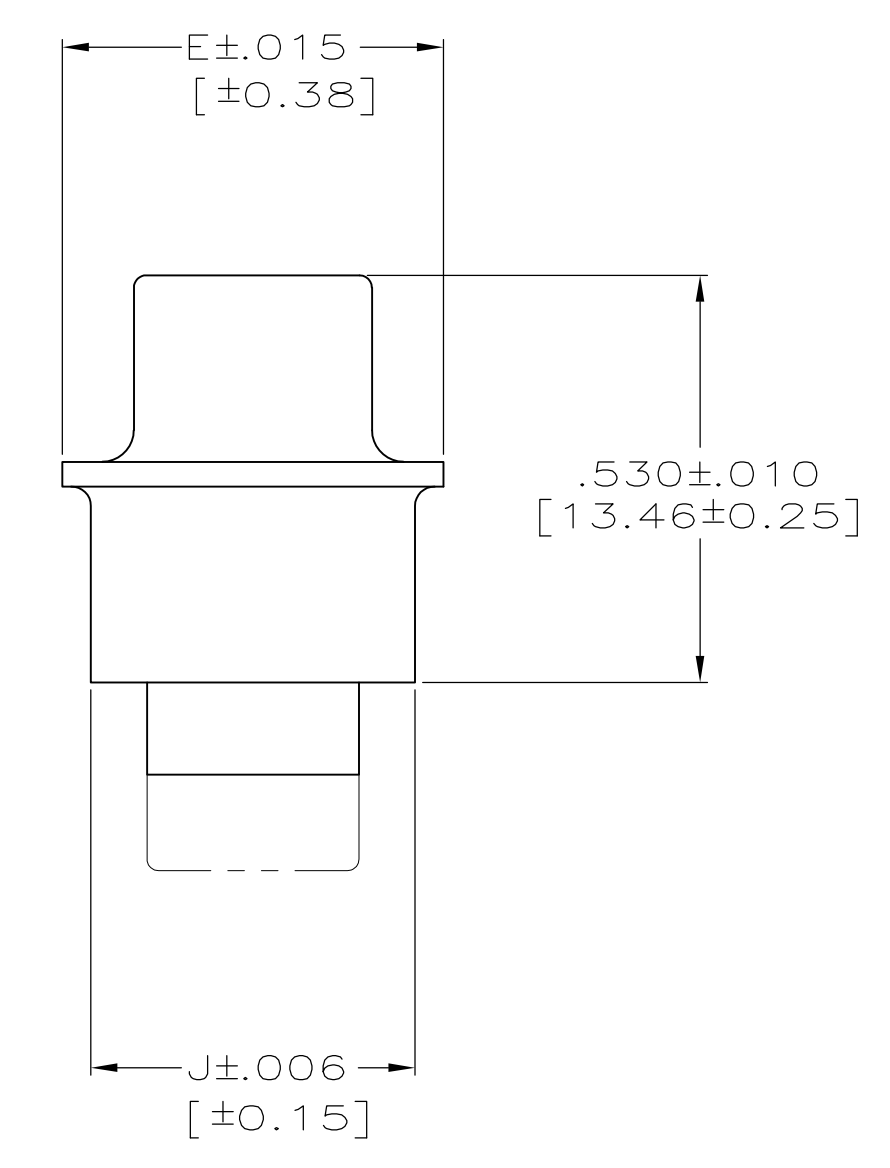
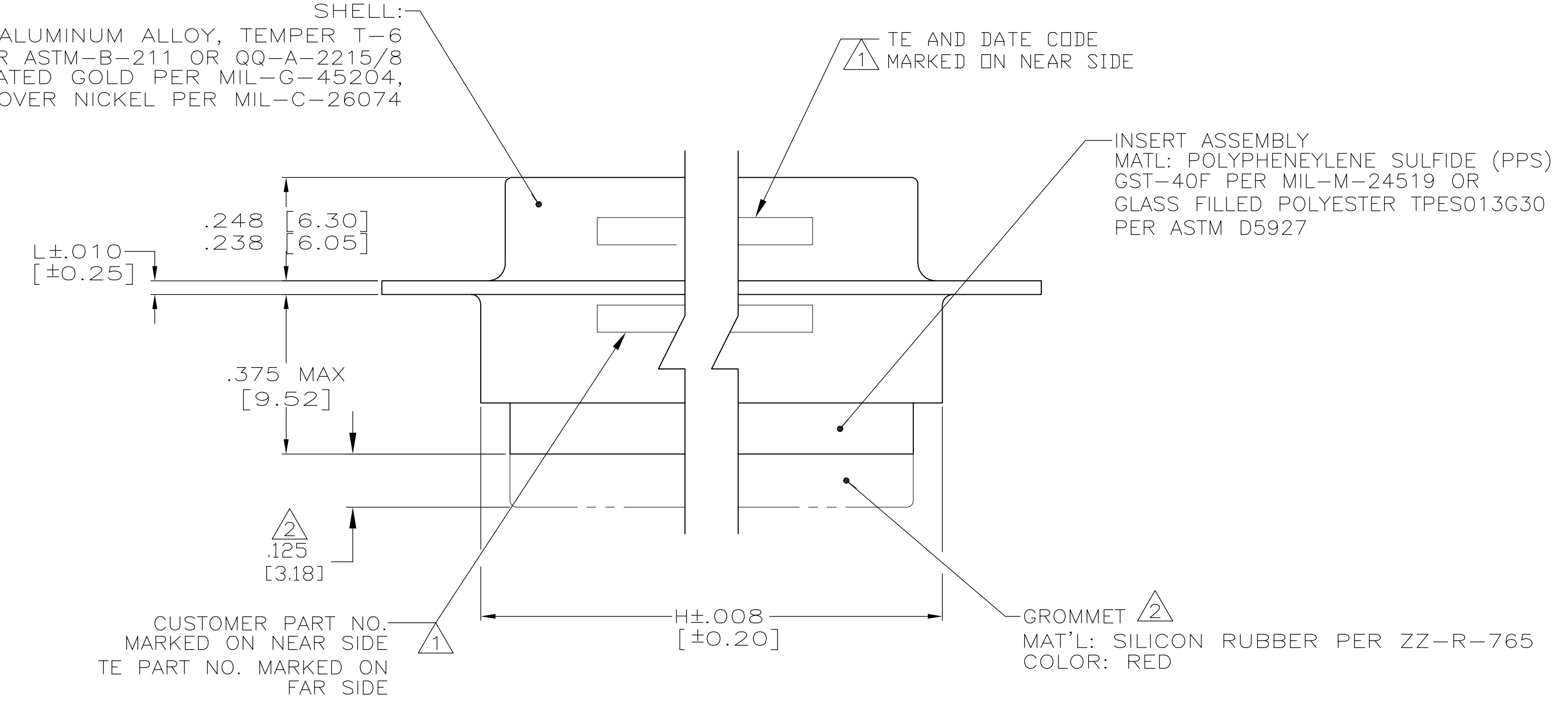
CUSTOMER PART NO.	L	J	H	E	D	C	B	A	REMARKS	NO OF POSN.	SHELL SIZE	PART NUMBER
R10006242-0024	.039 [0.99]	.608 [15.44]	2.313 [58.75]	.668 [16.97]	.485 [12.32]	2.500 [63.50]	2.190 [55.63]	2.729 [69.32]	2 8	104	6	3-1218233-2
R10006242-0023	.039 [0.99]	.550 [13.97]	2.189 [55.60]	.605 [15.38]	.423 [10.74]	2.406 [61.11]	2.065 [52.45]	2.635 [66.93]	2 8	78	5	3-1218233-1
R10006242-0022	.039 [0.99]	.438 [11.13]	2.284 [58.01]	.494 [12.55]	.311 [7.90]	2.500 [63.50]	2.160 [54.86]	2.729 [69.32]	2 8	62	4	3-1218233-0
R10006242-0021	.039 [0.99]	.438 [11.13]	1.636 [41.55]	.494 [12.55]	.311 [7.90]	1.852 [47.04]	1.512 [38.40]	2.088 [53.04]	2 8	44	3	2-1218233-9
R10006242-0020	.030 [0.76]	.438 [11.13]	1.094 [27.79]	.494 [12.55]	.311 [7.90]	1.312 [33.32]	.972 [24.69]	1.541 [39.14]	2 8	26	2	2-1218233-8
R10006242-0019	.030 [0.76]	.438 [11.13]	.770 [19.56]	.494 [12.55]	.311 [7.90]	.984 [24.99]	.644 [16.36]	1.213 [30.81]	2 8	15	1	2-1218233-7
R10006242-0018	.039 [0.99]	.608 [15.44]	2.313 [58.75]	.668 [16.97]	.485 [12.32]	2.500 [63.50]	2.190 [55.63]	2.729 [69.32]	8	104	6	2-1218233-6
R10006242-0017	.039 [0.99]	.550 [13.97]	2.189 [55.60]	.605 [15.38]	.423 [10.74]	2.406 [61.11]	2.065 [52.45]	2.635 [66.93]	8	78	5	2-1218233-5
R10006242-0016	.039 [0.99]	.438 [11.13]	2.284 [58.01]	.494 [12.55]	.311 [7.90]	2.500 [63.50]	2.160 [54.86]	2.729 [69.32]	8	62	4	2-1218233-4
R10006242-0015	.039 [0.99]	.438 [11.13]	1.636 [41.55]	.494 [12.55]	.311 [7.90]	1.852 [47.04]	1.512 [38.40]	2.088 [53.04]	8	44	3	2-1218233-3
R10006242-0014	.030 [0.76]	.438 [11.13]	1.094 [27.79]	.494 [12.55]	.311 [7.90]	1.312 [33.32]	.972 [24.69]	1.541 [39.14]	8	26	2	2-1218233-2
R10006242-0013	.030 [0.76]	.438 [11.13]	.770 [19.56]	.494 [12.55]	.311 [7.90]	.984 [24.99]	.644 [16.36]	1.213 [30.81]	8	15	1	2-1218233-1
---	.039 [0.99]	.608 [15.44]	2.313 [58.75]	.668 [16.97]	.485 [12.32]	2.500 [63.50]	2.190 [55.63]	2.729 [69.32]	2	104	6	1-1218233-2
---	.039 [0.99]	.550 [13.97]	2.189 [55.60]	.605 [15.38]	.423 [10.74]	2.406 [61.11]	2.065 [52.45]	2.635 [66.93]	2	78	5	1-1218233-1
---	.039 [0.99]	.438 [11.13]	2.284 [58.01]	.494 [12.55]	.311 [7.90]	2.500 [63.50]	2.160 [54.86]	2.729 [69.32]	2	62	4	1-1218233-0
---	.039 [0.99]	.438 [11.13]	1.636 [41.55]	.494 [12.55]	.311 [7.90]	1.852 [47.04]	1.512 [38.40]	2.088 [53.04]	2	44	3	1218233-9
---	.030 [0.76]	.438 [11.13]	1.094 [27.79]	.494 [12.55]	.311 [7.90]	1.312 [33.32]	.972 [24.69]	1.541 [39.14]	2	26	2	1218233-8
---	.030 [0.76]	.438 [11.13]	.770 [19.56]	.494 [12.55]	.311 [7.90]	.984 [24.99]	.644 [16.36]	1.213 [30.81]	2	15	1	1218233-7
---	.039 [0.99]	.608 [15.44]	2.313 [58.75]	.668 [16.97]	.485 [12.32]	2.500 [63.50]	2.190 [55.63]	2.729 [69.32]	-	104	6	1218233-6
---	.039 [0.99]	.550 [13.97]	2.189 [55.60]	.605 [15.38]	.423 [10.74]	2.406 [61.11]	2.065 [52.45]	2.635 [66.93]	-	78	5	1218233-5
---	.039 [0.99]	.438 [11.13]	2.284 [58.01]	.494 [12.55]	.311 [7.90]	2.500 [63.50]	2.160 [54.86]	2.729 [69.32]	-	62	4	1218233-4
---	.039 [0.99]	.438 [11.13]	1.636 [41.55]	.494 [12.55]	.311 [7.90]	1.852 [47.04]	1.512 [38.40]	2.088 [53.04]	-	44	3	1218233-3
---	.030 [0.76]	.438 [11.13]	1.094 [27.79]	.494 [12.55]	.311 [7.90]	1.312 [33.32]	.972 [24.69]	1.541 [39.14]	-	26	2	1218233-2
---	.030 [0.76]	.438 [11.13]	.770 [19.56]	.494 [12.55]	.311 [7.90]	.984 [24.99]	.644 [16.36]	1.213 [30.81]	-	15	1	1218233-1

THIS DRAWING IS A CONTROLLED DOCUMENT.		DIN C.C.THOMAS 7-27-05	 TE Connectivity
DIMENSIONS: INCHES		CHK D.MILLER 7-27-05	
TOLERANCES UNLESS OTHERWISE SPECIFIED:		APVD D.MILLER 7-27-05	NAME
0 PLC ± - 1 PLC ± - 2 PLC ± - 3 PLC ± .005 (.13) 4 PLC ± - ANGLES ± -		PRODUCT SPEC	
MATERIAL		APPLICATION SPEC	
FINISH		SIZE CASE CODE DRAWING NO	
		RESTRICTED TO	
		WEIGHT	
		A1 00779 1218233	
		CUSTOMER DRAWING	
		SCALE 4:1 SHEET 1 OF 2 REV G	

LOC		DIST		REVISIONS			
P	LTR	DESCRIPTION	DATE	DN	APVD		
1		SEE SHEET #1					



SHELL:  
 MAT'L: ALUMINUM ALLOY, TEMPER T-6  
 PER ASTM-B-211 OR QQ-A-2215/8  
 FINISH: PLATED GOLD PER MIL-G-45204,  
 OVER NICKEL PER MIL-C-26074



THIS DRAWING IS A CONTROLLED DOCUMENT.		DIN C.C.THOMAS 7-27-05		TE Connectivity	
DIMENSIONS: INCHES		CIRK D.MILLER 7-27-05			
TOLERANCES UNLESS OTHERWISE SPECIFIED:		APVD D.MILLER 7-27-05		NAME	
0 PLC ± -		PRODUCT SPEC		RECEPTACLE ASSEMBLY, AMPLIMITE ULTRA-LITE, SERIES 90, SIZE 1 THRU 6	
1 PLC ± -		APPLICATION SPEC		SIZE	
2 PLC ± -		WEIGHT		CAGE CODE	
3 PLC ± .005 (.13)		A1 00779		DRAWING NO	
4 PLC ± -		CUSTOMER DRAWING		1218233	
ANGLES ± -		SCALE 4:1		SHEET 2 OF 2	
MATERIAL		REV G		RESTRICTED TO	