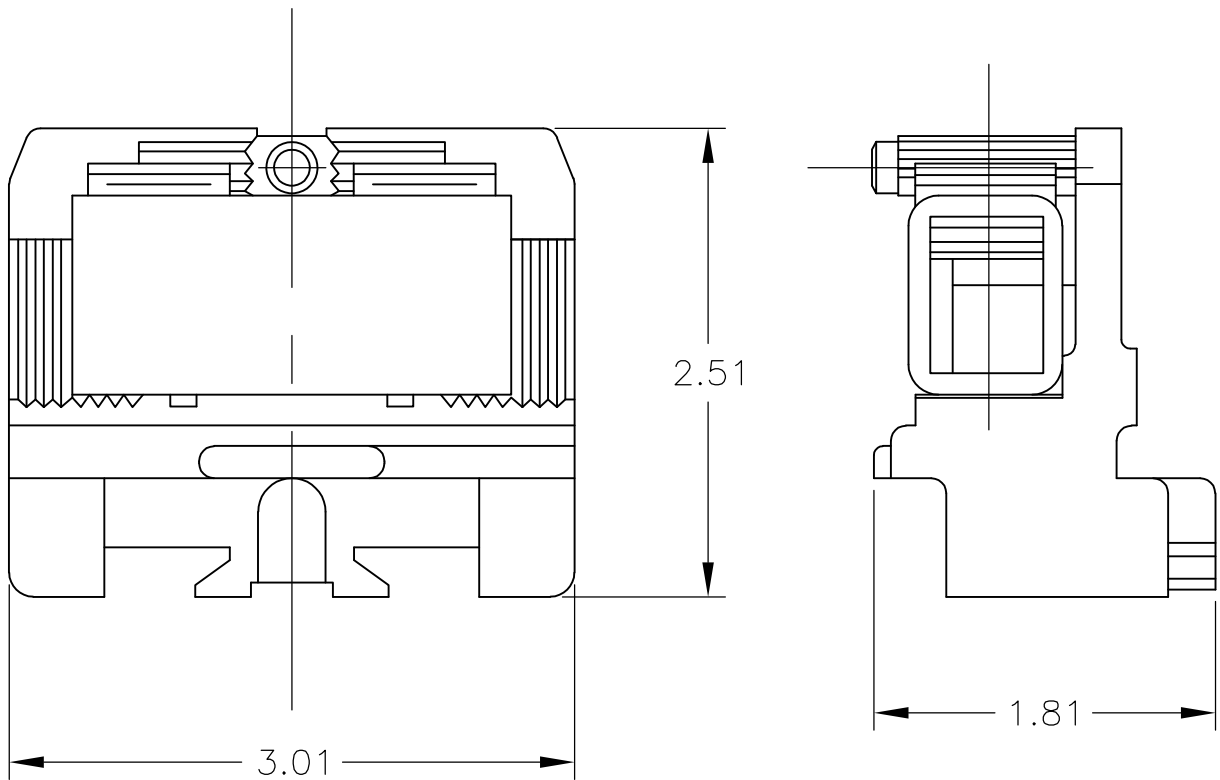


LOC	DIST	REVISIONS				
P	LTR	DESCRIPTION	DATE	DWN	APVD	
	A1	REVISED PER ECO-11-005027	11MAR11	RK	HMR	

△ 1 MATERIAL: PHENOLIC



RELEASED FOR PUBLICATION

ALL RIGHTS RESERVED.

THIS DRAWING IS UNPUBLISHED.

By -  
COPYRIGHT -

DIMENSIONS: INCHES	DWN	30SEP08	MATERIAL	△ 1	FINISH	-
	CHK	30SEP08				
TOLERANCES UNLESS OTHERWISE SPECIFIED:	APVD	30SEP08				
0 PLC ± -	PRODUCT SPEC		NAME			427-BU=TERMINAL BLOCK
1 PLC ± -			SIZE	CAGE CODE	DRAWING NO	RESTRICTED TO
2 PLC ± -	APPLICATION SPEC		A4	00779	C-1437396-8	-
3 PLC ± -			WEIGHT			-
4 PLC ± -			CUSTOMER DRAWING			SCALE 1:1
ANGLES ± -						SHEET 1 OF 1
						REV A1

