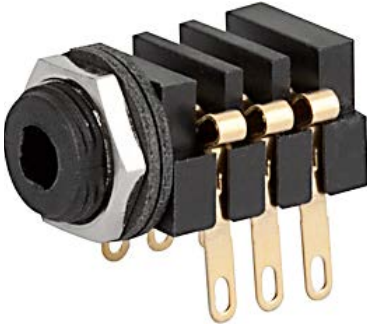


4802, Socket, solder terminal, insulated, 3.5 mm, 3-pole, straight, UK-Connector



Description

- Solder terminal :
Screw-on mounting , from rear-side
- Data and Signal transfer
- Data and Signal Connectors 3-pole , insulated , straight
- Reinforced gold plating for increased insertions

References

Alternative: Housing shielded [4802.2300](#)

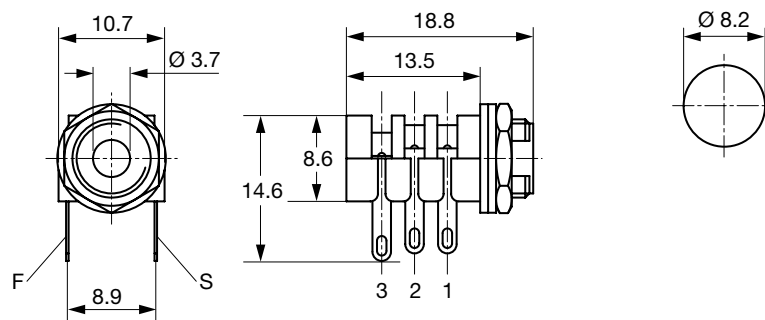
Technical Data

Diameter	3.5 mm
Number of Poles	3-pole
Ratings DC	1 A / 12VDC
Ratings AC	1 A / 12VAC
Dielectric Strength	500VDC
Insulation Resistance	> 10000 MΩ @ 500VDC

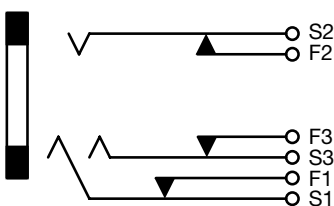
Allowable Operation Temperature	-20 °C to 70 °C
Terminal	solder terminal
Mounting	Screw-on mounting wall thickness max. 2.0mm
Housings	insulated
Style	straight
Lifetime	10000 Insertions

Detailed information on product approvals, code requirements, usage instructions and detailed test conditions can be looked up in [General Product Information](#)

Dimensions



Diagrams



All Variants

Product group	Diameter [mm]	Number of Poles	Terminal	Order Number
Data and Signal Plug/ Sockets	3.5	3-pole	solder terminal	4802.2310

Availability for all products can be searched real-time:<http://www.schurter.com/en/Stock-Check/Stock-Check-SCHURTER>

Packaging unit 100 Pcs

Mating Inlets/Plugs

Category / Description

[Data and Signal Plug/Socket Overview complete](#)



4802, Plug, solder terminal, screened, 3.5 mm, 3-pole, straight, UK-Connector	4802.1300
4802, Plug, solder terminal, insulated, 3.5 mm, 3-pole, straight, UK-Connector	4802.1310

[Data and Signal Plug/Socket further types to 4802.2310](#)